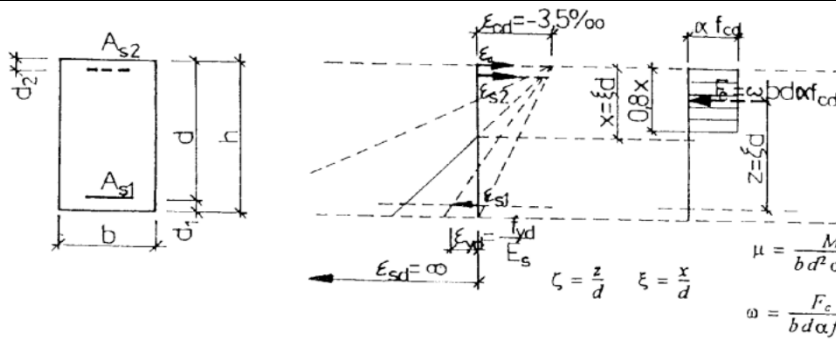


# Tabulka součinitelů pro návrh ŽB prvků

Obdélníkový průřez  
Rovnoměrné rozdělení napětí v betonu  
Přetvoření tahové výztuže neomezené



μ	ω	ξ	ζ	ε <sub>s1</sub>	ε <sub>c</sub>	ε <sub>s2</sub> pro α <sub>2</sub> /d			
						0.05	0.1	0.15	0.2
0.010	0.0101	0.013	0.995	275.093	-3.500	10.430	24.379	38.279	52.219
0.020	0.0202	0.025	0.990	135.086	-3.500	3.429	11.359	17.288	24.217
0.030	0.0305	0.038	0.985	88.412	-3.500	1.096	5.611	10.287	14.882
0.040	0.0408	0.051	0.980	65.071	-3.500	-0.071	3.357	6.786	10.214
0.050	0.0513	0.064	0.974	51.063	-3.500	-0.772	1.956	4.684	7.413
0.060	0.0619	0.077	0.969	41.722	-3.500	-1.209	1.022	3.283	5.544
0.070	0.0726	0.091	0.964	35.047	-3.500	-1.573	0.355	2.282	4.209
0.080	0.0835	0.104	0.958	30.039	-3.500	-1.822	-0.146	1.531	3.208
0.090	0.0945	0.118	0.953	26.142	-3.500	-2.018	-0.536	0.946	2.428
0.100	0.1056	0.132	0.947	23.022	-3.500	-2.174	-0.848	0.478	1.804
0.110	0.117	0.146	0.942	20.468	-3.500	-2.302	-1.103	0.095	1.294
0.120	0.128	0.160	0.936	18.337	-3.500	-2.408	-1.316	-0.224	0.867
0.130	0.140	0.175	0.930	16.533	-3.500	-2.498	-1.497	-0.495	0.507
0.140	0.151	0.189	0.924	14.985	-3.500	-2.576	-1.651	-0.727	0.197
0.150	0.163	0.204	0.918	13.642	-3.500	-2.643	-1.786	-0.929	-0.072
0.160	0.175	0.219	0.912	12.462	-3.500	-2.702	-1.903	-1.105	-0.307
0.170	0.188	0.234	0.906	11.426	-3.500	-2.754	-2.007	-1.261	-0.515
0.180	0.200	0.250	0.900	10.500	-3.500	-2.800	-2.100	-1.400	-0.700
0.190	0.213	0.266	0.894	9.670	-3.500	-2.841	-2.183	-1.524	-0.866
0.200	0.225	0.282	0.887	8.922	-3.500	-2.879	-2.258	-1.637	-1.016
0.210	0.238	0.298	0.881	8.244	-3.500	-2.913	-2.326	-1.738	-1.151
0.220	0.252	0.315	0.874	7.626	-3.500	-2.944	-2.387	-1.831	-1.275
0.230	0.265	0.331	0.867	7.060	-3.500	-2.972	-2.444	-1.916	-1.388
0.240	0.279	0.349	0.861	6.540	-3.500	-2.998	-2.496	-1.994	-1.492
0.250	0.293	0.366	0.854	6.060	-3.500	-3.022	-2.544	-2.066	-1.588
0.260	0.307	0.384	0.846	5.615	-3.500	-3.044	-2.588	-2.133	-1.677
0.270	0.322	0.402	0.839	5.202	-3.500	-3.065	-2.630	-2.195	-1.760
0.280	0.337	0.421	0.832	4.817	-3.500	-3.084	-2.668	-2.253	-1.837
0.290	0.352	0.440	0.824	4.456	-3.500	-3.102	-2.704	-2.307	-1.909
0.300	0.367	0.459	0.816	4.118	-3.500	-3.119	-2.738	-2.357	-1.976
0.310	0.384	0.479	0.808	3.800	-3.500	-3.135	-2.770	-2.405	-2.040
0.320	0.400	0.500	0.800	3.500	-3.500	-3.150	-2.800	-2.450	-2.100
0.330	0.417	0.521	0.792	3.216	-3.500	-3.164	-2.828	-2.493	-2.157
0.340	0.434	0.543	0.783	2.947	-3.500	-3.178	-2.855	-2.533	-2.211
0.350	0.452	0.565	0.774	2.691	-3.500	-3.190	-2.881	-2.571	-2.262
0.360	0.471	0.589	0.765	2.447	-3.500	-3.203	-2.905	-2.608	-2.311
0.370	0.490	0.613	0.755	2.213	-3.500	-3.214	-2.929	-2.643	-2.357
0.380	0.510	0.638	0.745	1.989	-3.500	-3.226	-2.951	-2.677	-2.402
0.390	0.531	0.664	0.735	1.773	-3.500	-3.236	-2.973	-2.709	-2.445
0.400	0.553	0.691	0.724	1.565	-3.500	-3.247	-2.993	-2.740	-2.487
0.410	0.576	0.720	0.712	1.363	-3.500	-3.257	-3.014	-2.770	-2.527
0.420	0.600	0.750	0.700	1.167	-3.500	-3.267	-3.033	-2.800	-2.567
0.430	0.626	0.782	0.687	0.974	-3.500	-3.276	-3.053	-2.829	-2.605
0.440	0.654	0.817	0.673	0.784	-3.500	-3.286	-3.072	-2.857	-2.643
0.450	0.684	0.855	0.658	0.595	-3.500	-3.295	-3.091	-2.886	-2.681
0.460	0.717	0.896	0.641	0.404	-3.500	-3.305	-3.110	-2.914	-2.719
0.470	0.755	0.944	0.622	0.208	-3.500	-3.315	-3.129	-2.944	-2.758
0.480	0.800	1.000	0.600	0.000	-3.500	-3.325	-3.150	-2.975	-2.800
0.490	0.859	1.073	0.571	-0.239	-3.500	-3.337	-3.174	-3.011	-2.848

Stará verze prokladů dle ČSN 2010