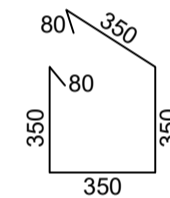


① 4 x Ø25 ; L = 4070 mm



② TIE Ø8 spacing 240 mm
L = 1560 mm

LIST OF REINFORCEMENT

Item	Rebar	Length [mm]	Pieces [pcs]	Total length of rebars [m]	
				Ø8	Ø25
1	Ø25	4070	8		32,56
2	Ø8	1560	10	15,60	
Total length [m]				15,60	32,56
Unit weight [kg/m]				0,39	3,85
Weight of the steel [kg]				6,08	125,35
Total weight of steel				131,43	

MATERIALS :
CONCRETE C30/37
STEEL S500B

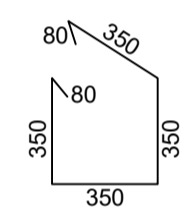
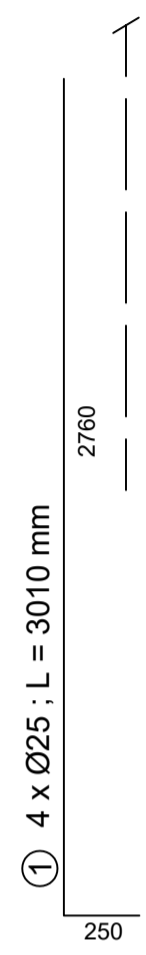
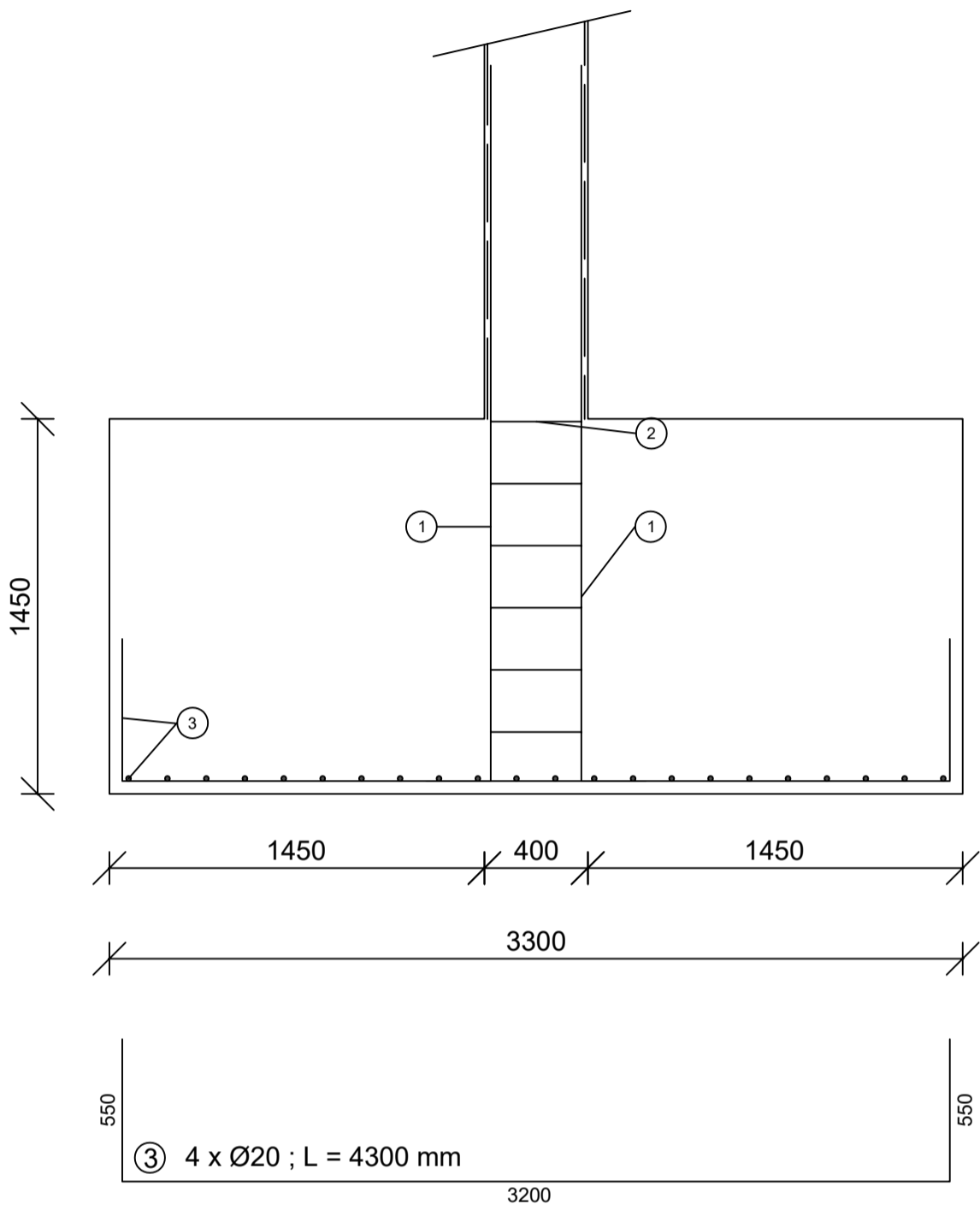
COVER DEPTH 50 mm

Czech Technical University
Faculty of Civil Engineering

REINFORCEMENT DRAWING
PLAIN CONCRETE PAD FOOTING



Drawn by :	Engin Aydeniz	Date :	19/12/2020
Checked by :	Ing. Petr Bílý, Ph.D.	Scale :	1/25
		Sheet nr. :	A01



② TIE Ø8 spacing 240 mm
L = 1560 mm

③ 4 x Ø20 ; L = 4300 mm

LIST OF REINFORCEMENT

Item	Rebar	Length [mm]	Pieces [pcs]	Total length of rebars [m]		
				Ø8	Ø25	Ø20
1	Ø25	4070	8		32,56	
2	Ø8	1560	10	15,60		
3	Ø20	4300	44			189,20
Total length [m]				15,60	32,56	189,20
Unit weight [kg/m]				0,39	3,85	2,47
Weight of the steel [kg]				6,08	125,35	467,32
Total weight of steel				598,75		

MATERIALS :
CONCRETE C30/37
STEEL S500B

COVER DEPTH 50 mm

Czech Technical University
Faculty of Civil Engineering

REINFORCEMENT DRAWING
REINFORCED CONCRETE PAD FOOTING



Drawn by :	Engin Aydeniz	Date :	19/12/2020
Checked by :	Ing. Petr Bílý, Ph.D.	Scale :	1/25
		Sheet nr. :	A01