



The  
University  
Of  
Sheffield.

ASFE 'Prague 2011

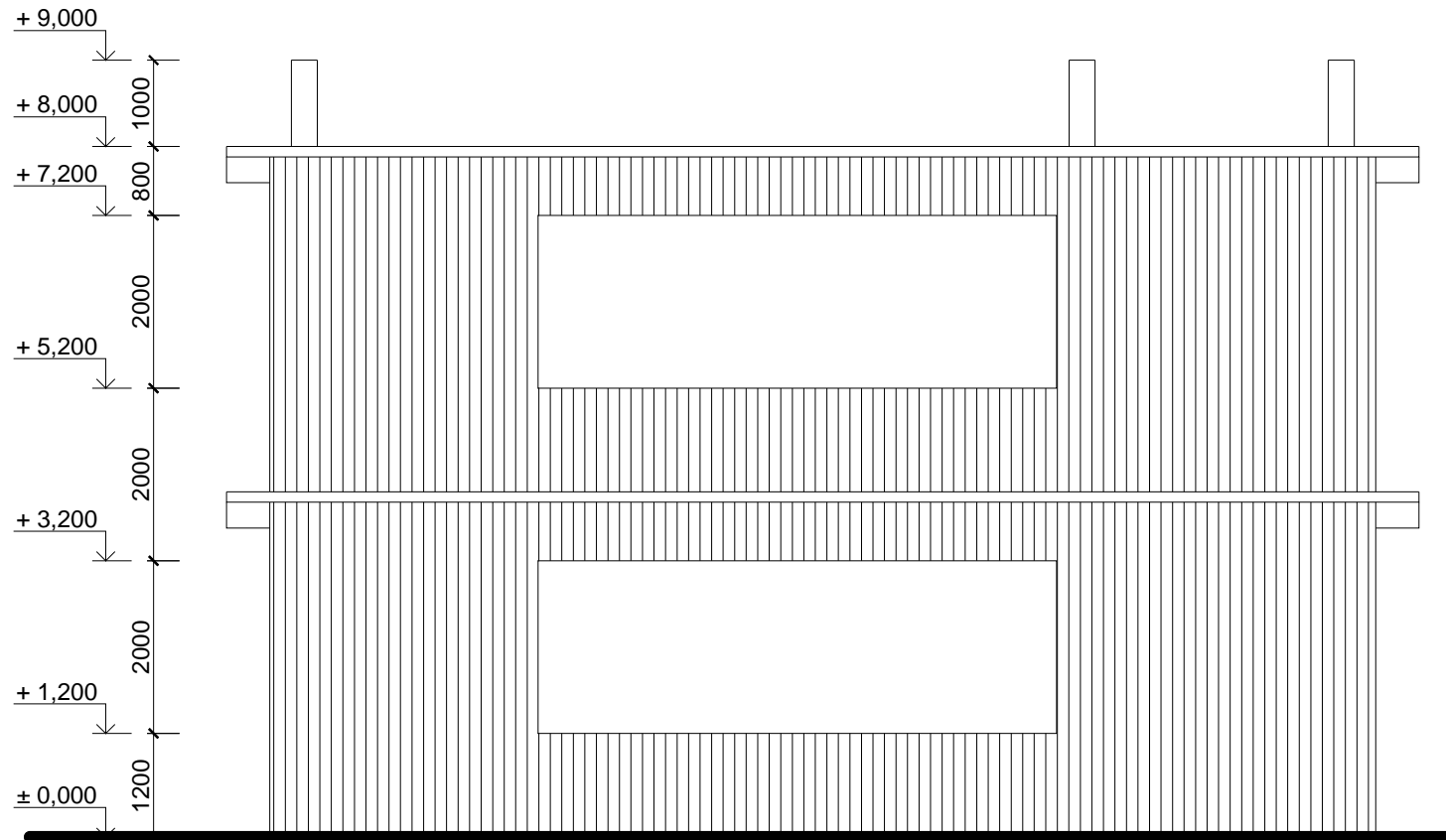
# A Structural Fire Engineering Prediction for the Veselí Fire Tests, 2011

Shan-Shan Huang, Ian Burgess & Buick  
Davison



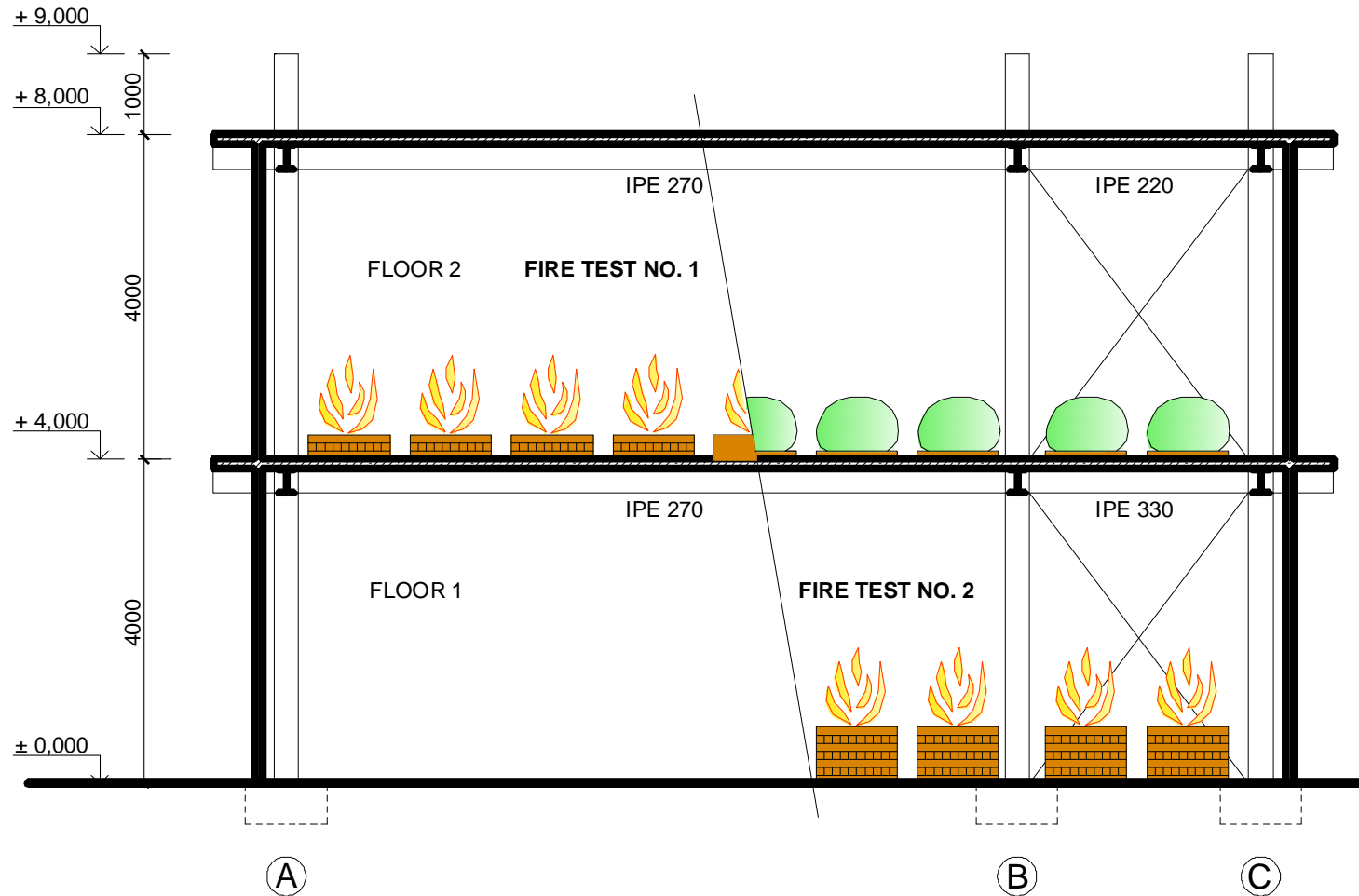
The University  
Of  
Sheffield.

# COMPFIRE Demonstration Tests in Veselí



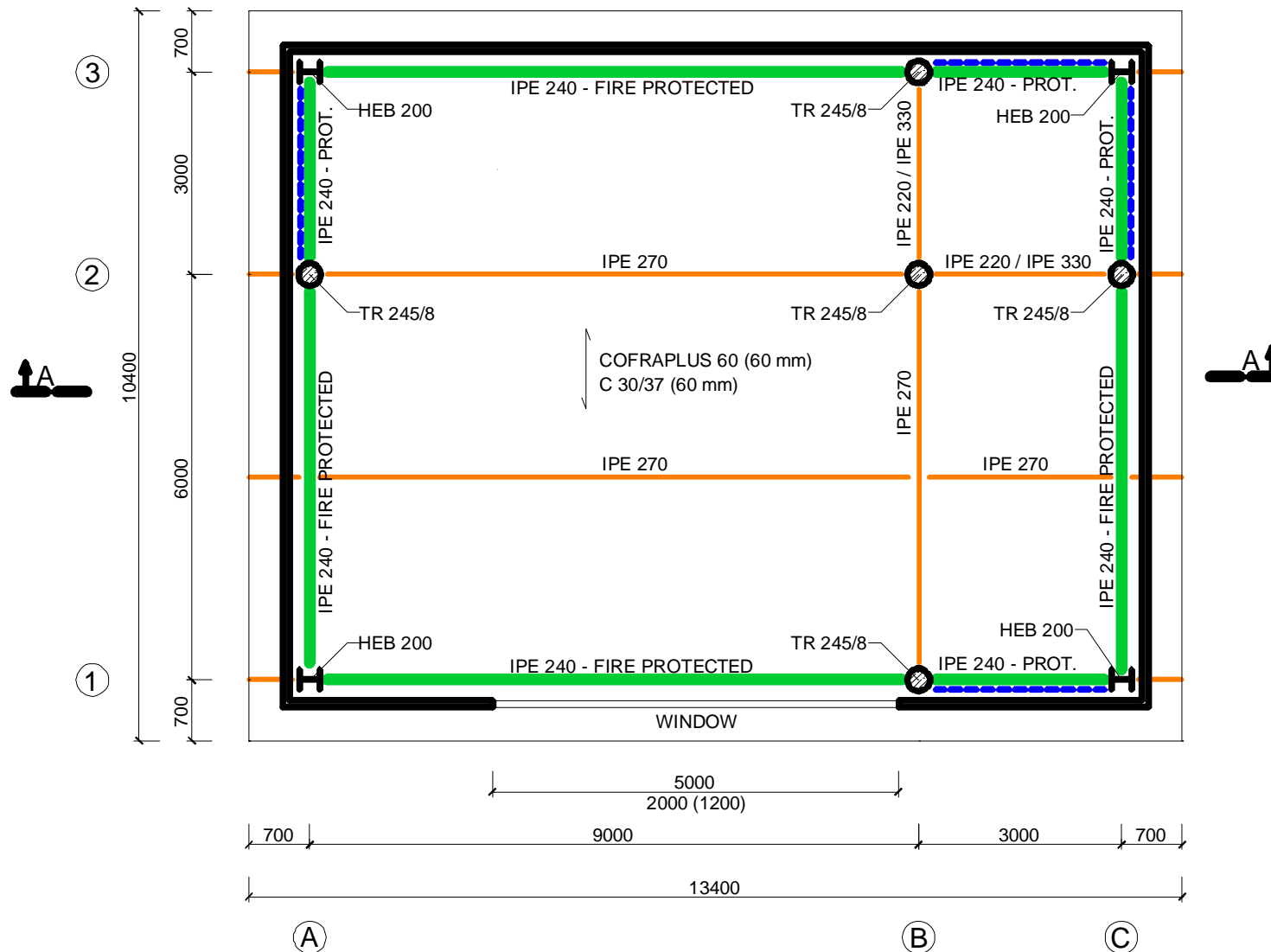


# Test Arrangement





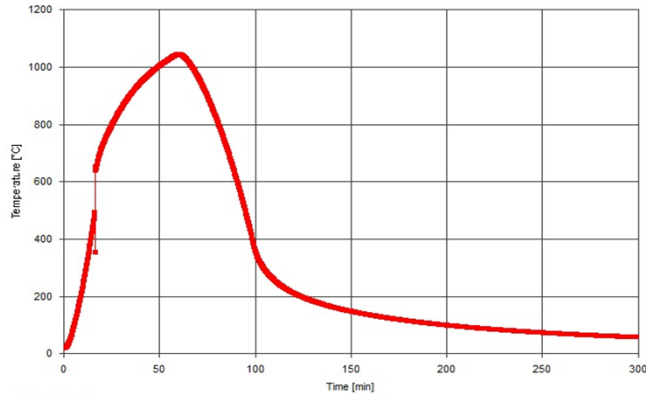
# Floor Plan



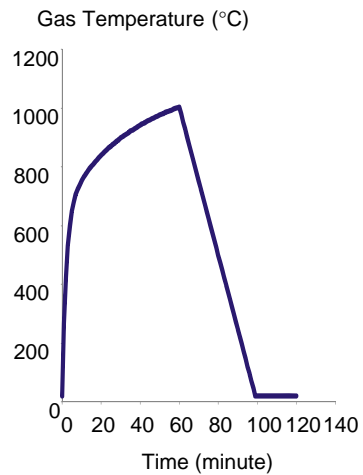


The University Of Sheffield.

# Vulcan Model



Gas temperature:  
1046°C at 60 minutes

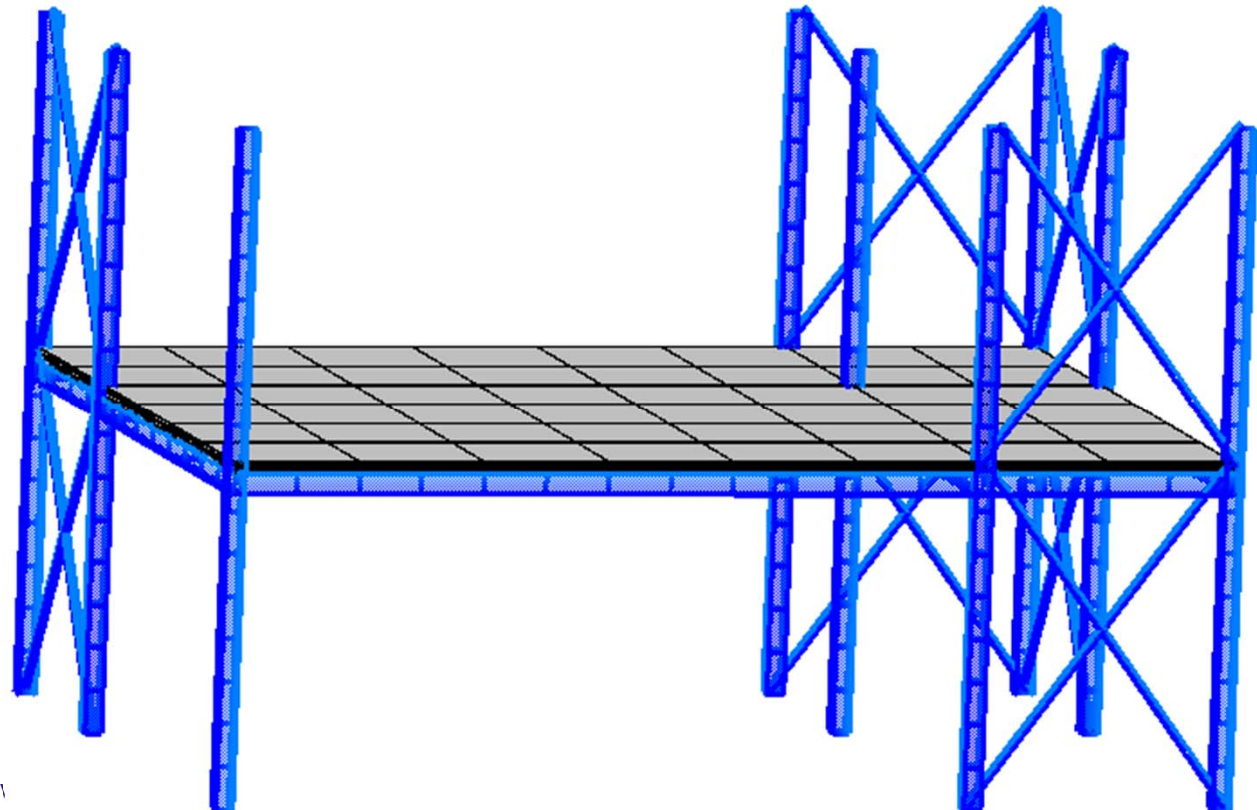


EC type of fire curve  
applied to the model

## Characteristic design loads

Dead load:	Slab	2.35 kN/m <sup>2</sup>
	Flooring	0.5 kN/m <sup>2</sup>
Live load:	Payload	3.0 kN/m <sup>2</sup>
	Partitions	0.5 kN/m <sup>2</sup>

Applied load on slab to the model: 6.35 kN/m<sup>2</sup>  
 Point loads on columns: 2.85 kN/m<sup>2</sup>

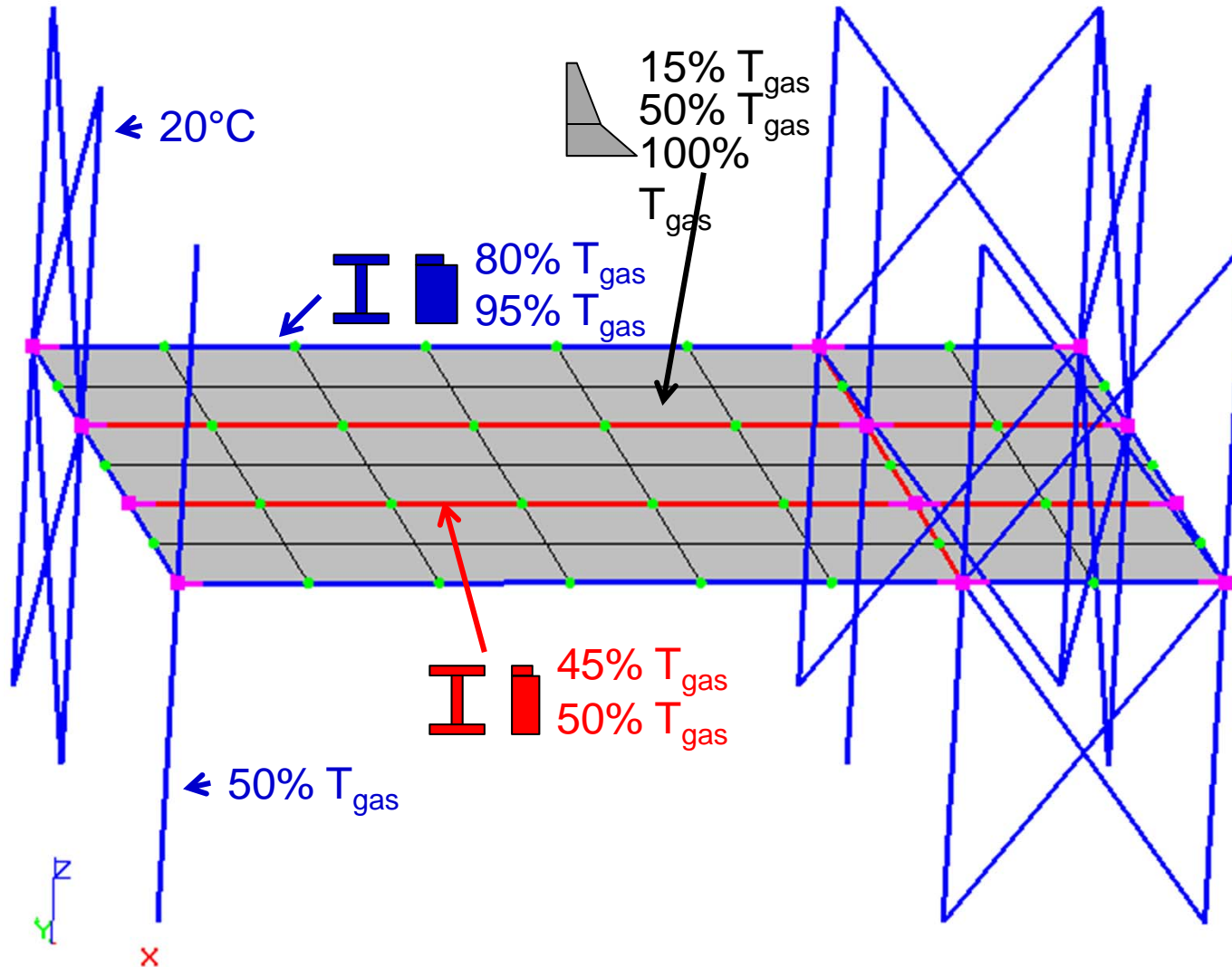


# Assumptions made in the *Vulcan* Model

- Circular CFT columns modelled as equivalent square CFTs;
- Connections represented by rotational spring elements;
- Varying the rotational stiffnesses of the springs to model rigid, semi-rigid and pinned connections;
- Composite slab with trapezoidal decking modelled as a flat slab with different bending stiffnesses in the two orthogonal directions.



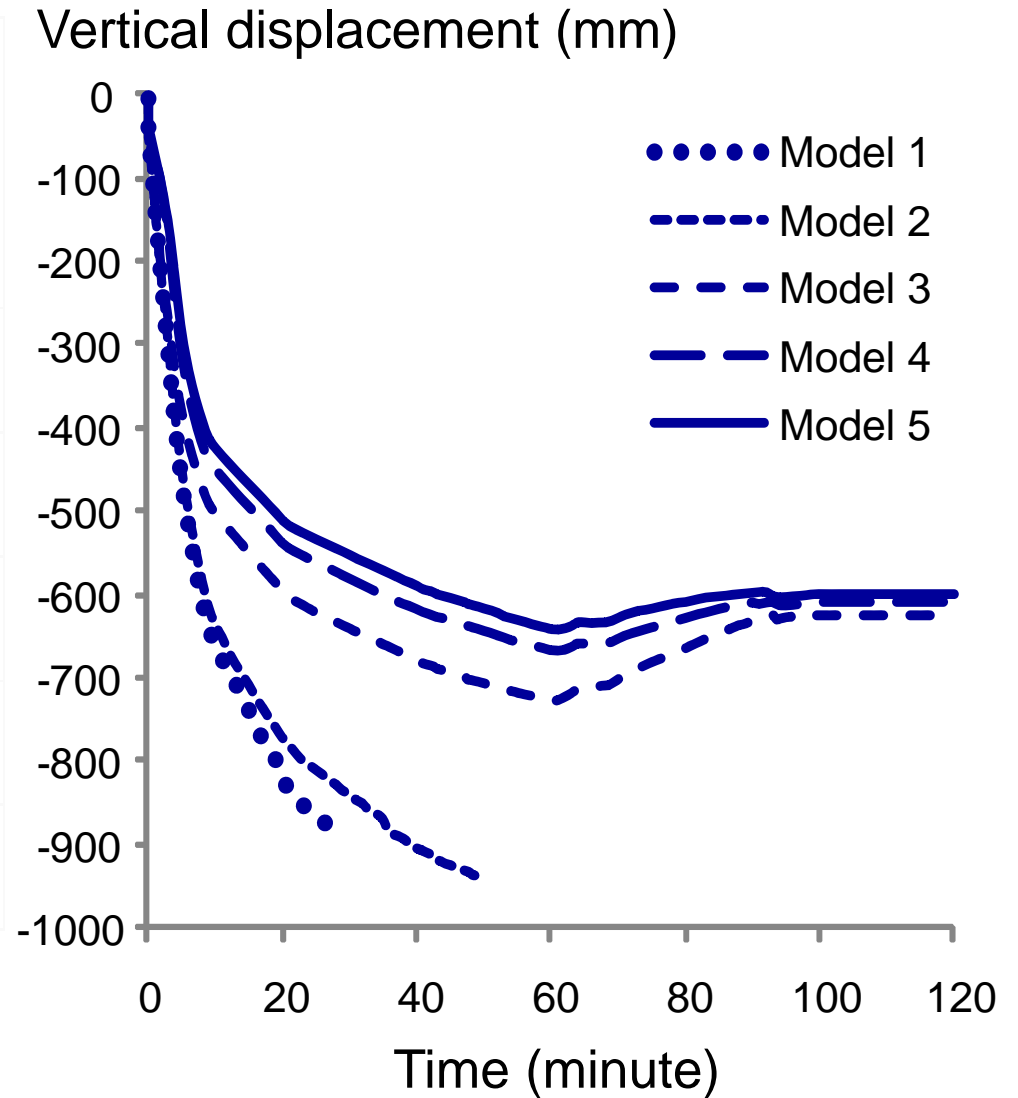
# Temperature Distribution





# Vulcan Analysis Results

Model No.	Connection Rigidity	Rotational Spring Stiffness (Nmm/rad)
1	Pinned	100
2	Semi-rigid	$5 \times 10^5$
3	Semi-rigid	$1 \times 10^9$
4	Semi-rigid	$1 \times 10^{10}$
5	Rigid	$1 \times 10^{12}$

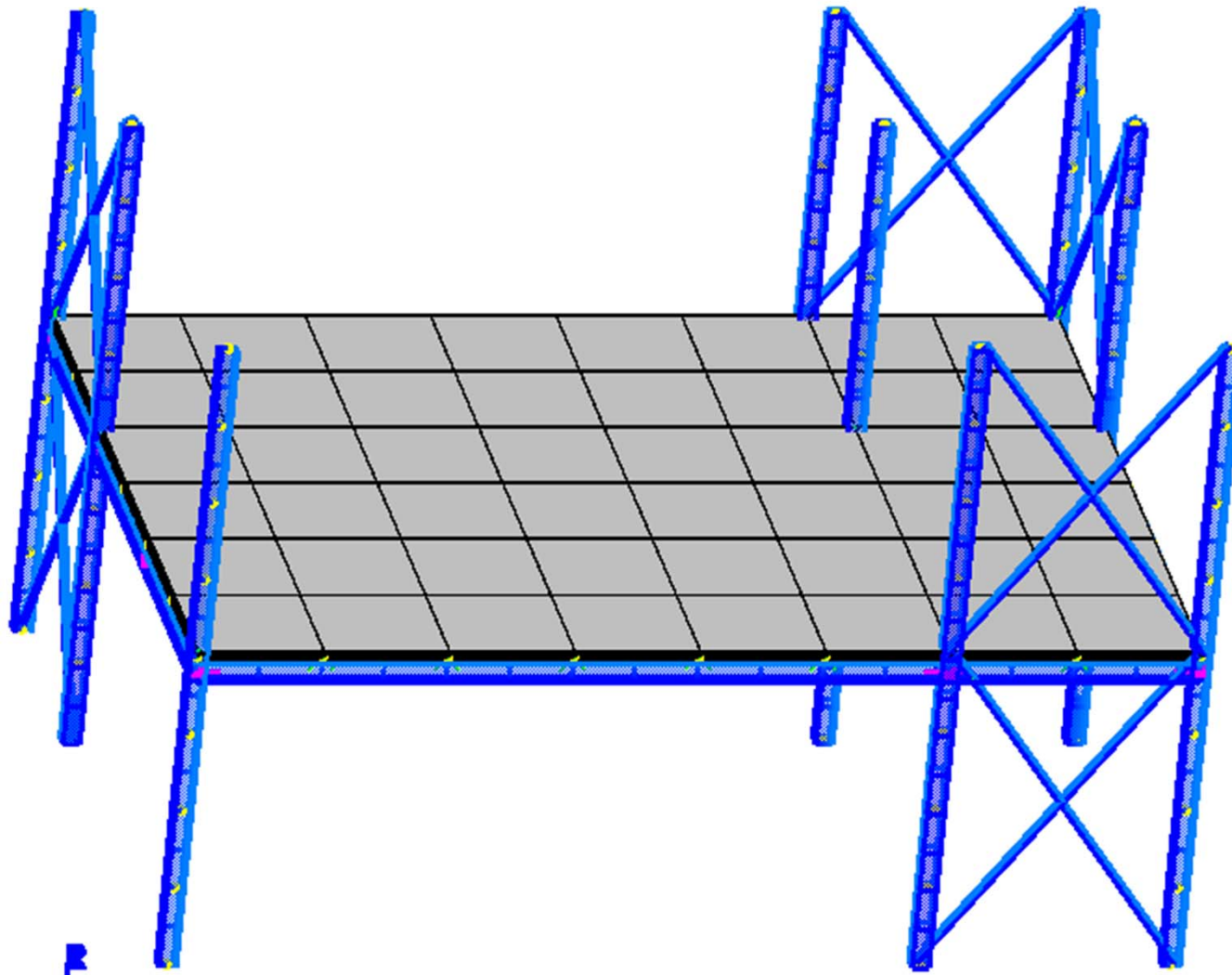




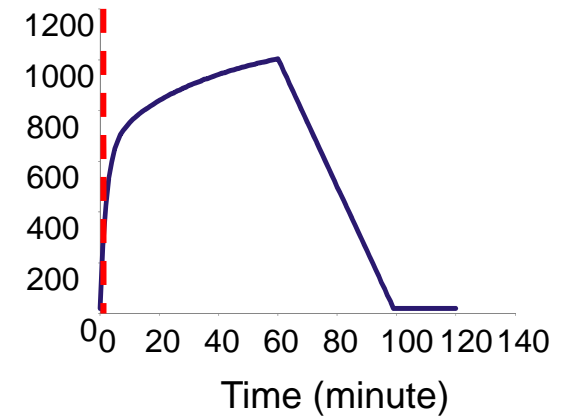


The University  
Of  
Sheffield.

# Deformation Shape



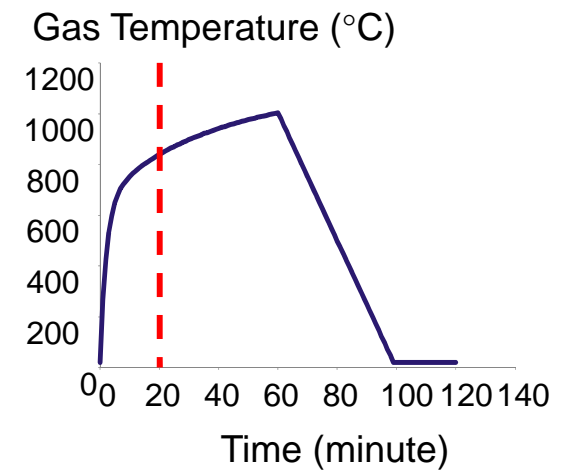
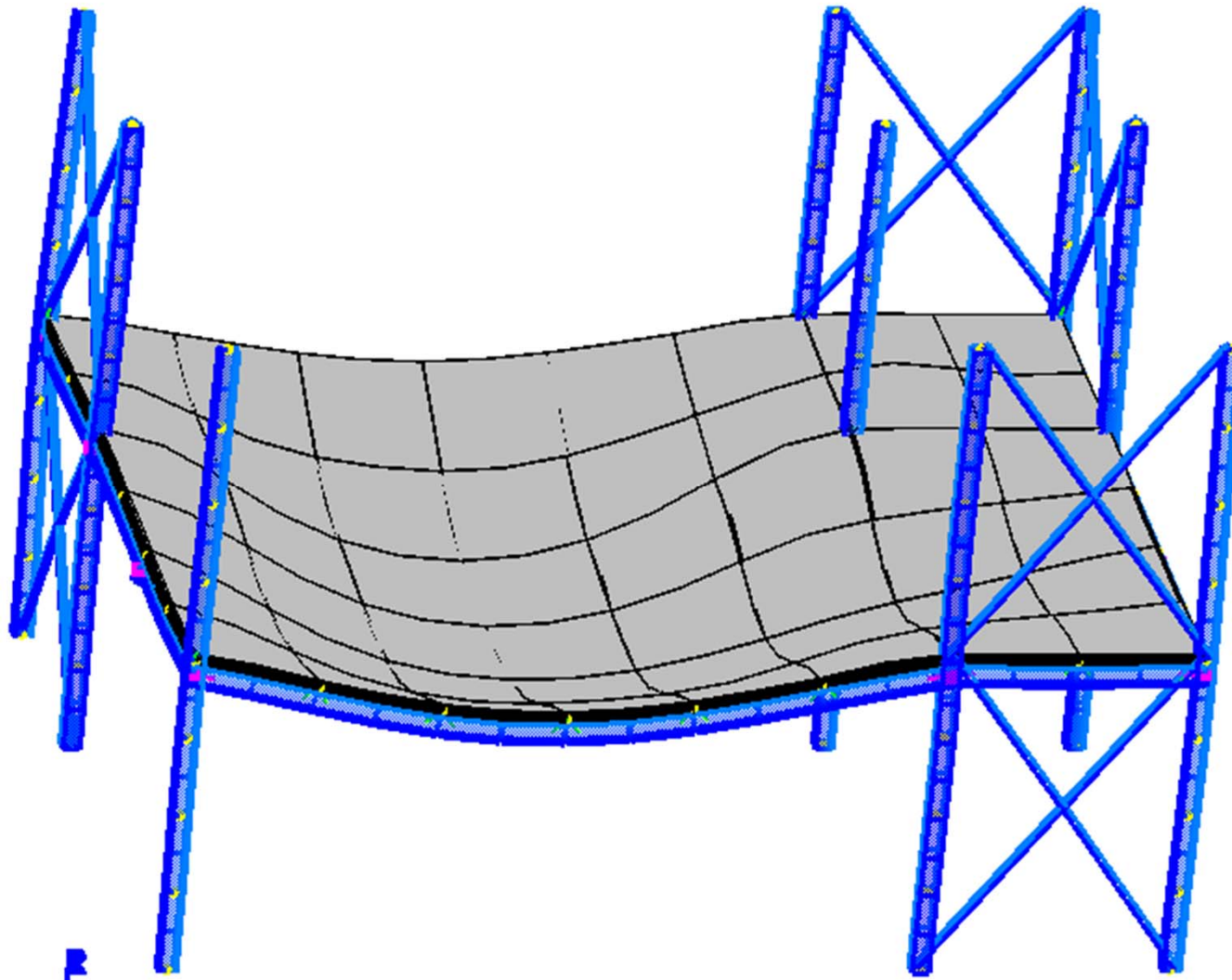
Gas Temperature (°C)





The University Of Sheffield.

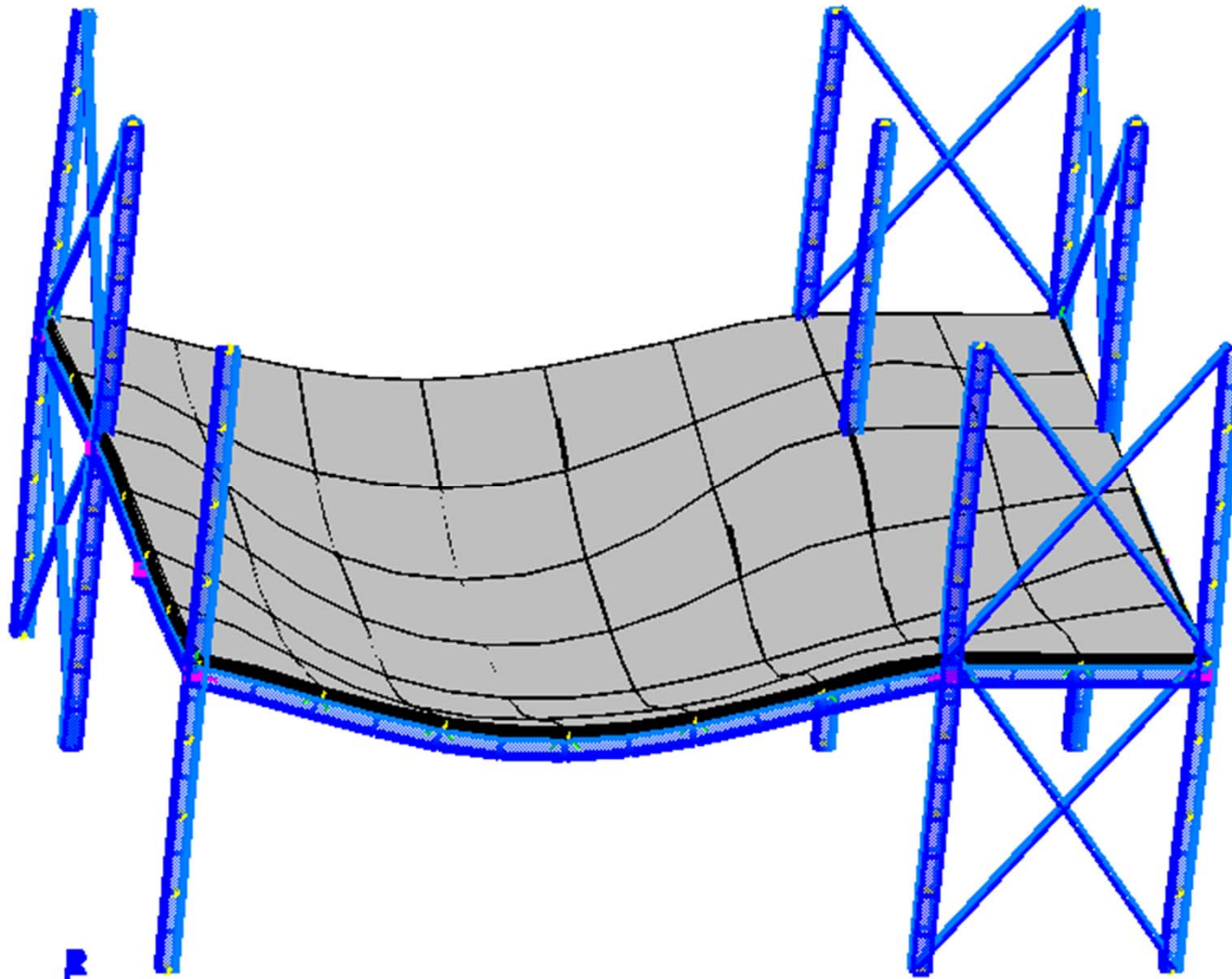
# Deformation Shape



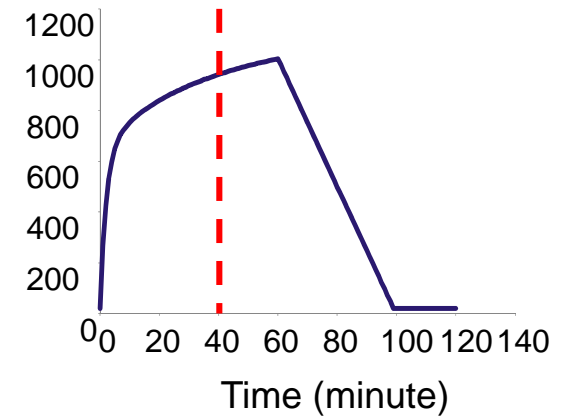


The University  
Of  
Sheffield.

# Deformation Shape



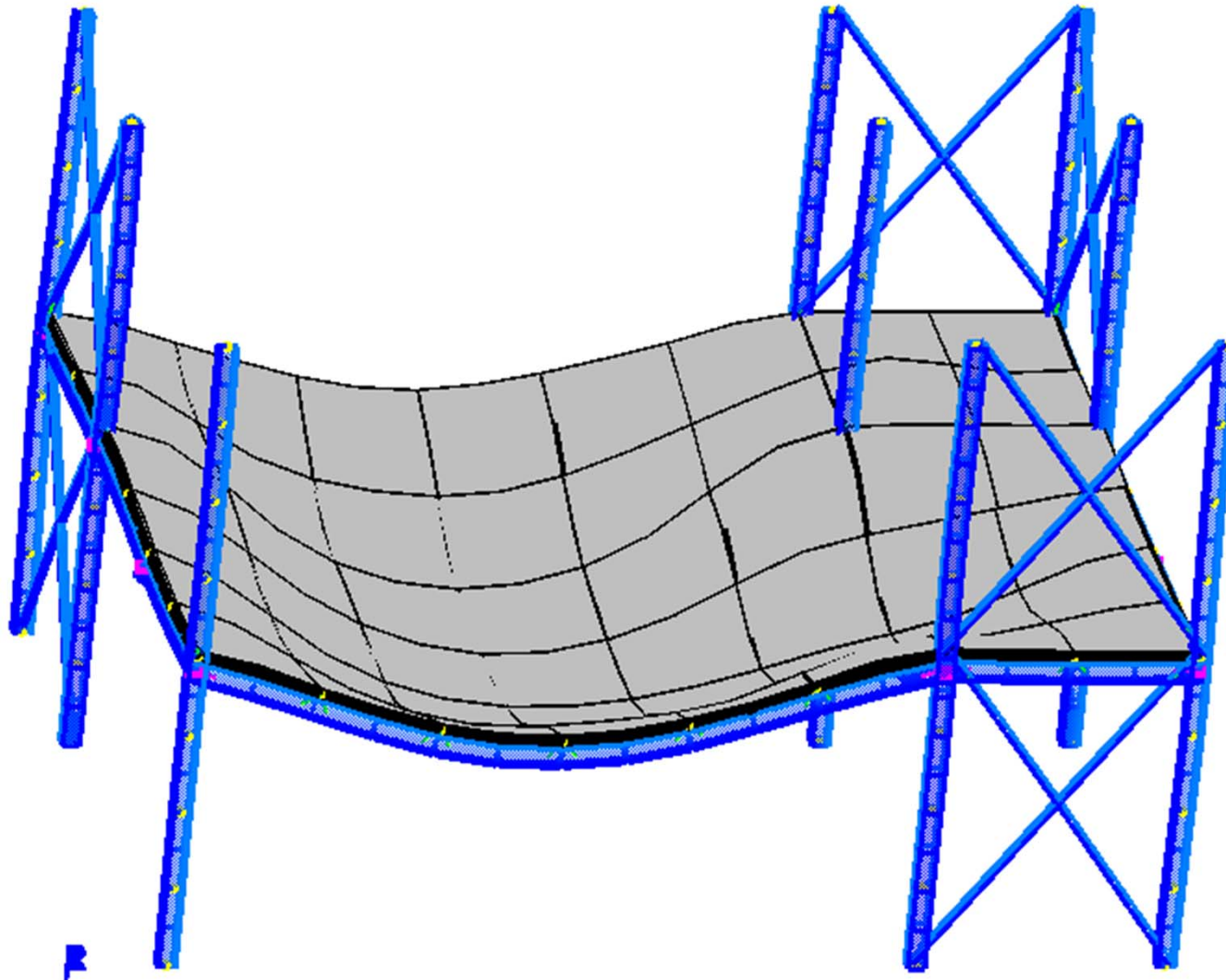
Gas Temperature (°C)



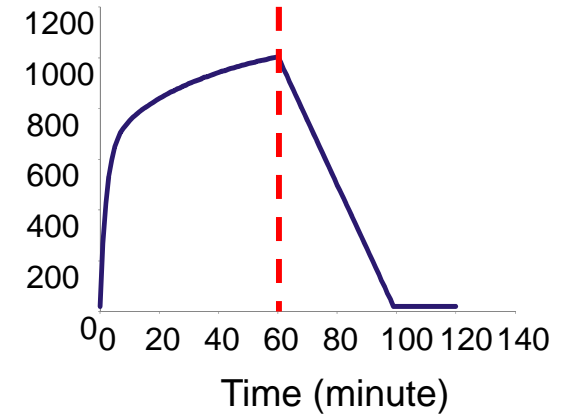


The University  
Of  
Sheffield.

# Deformation Shape



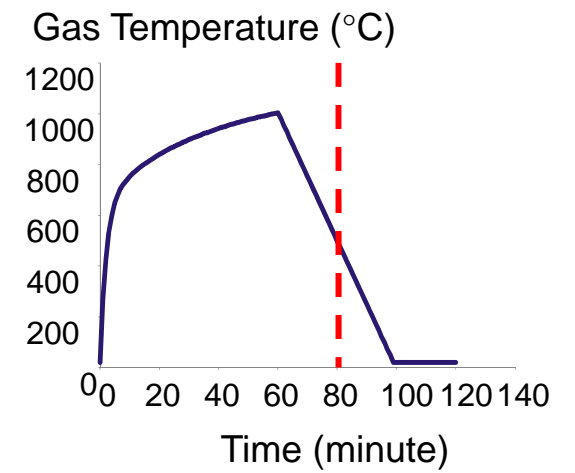
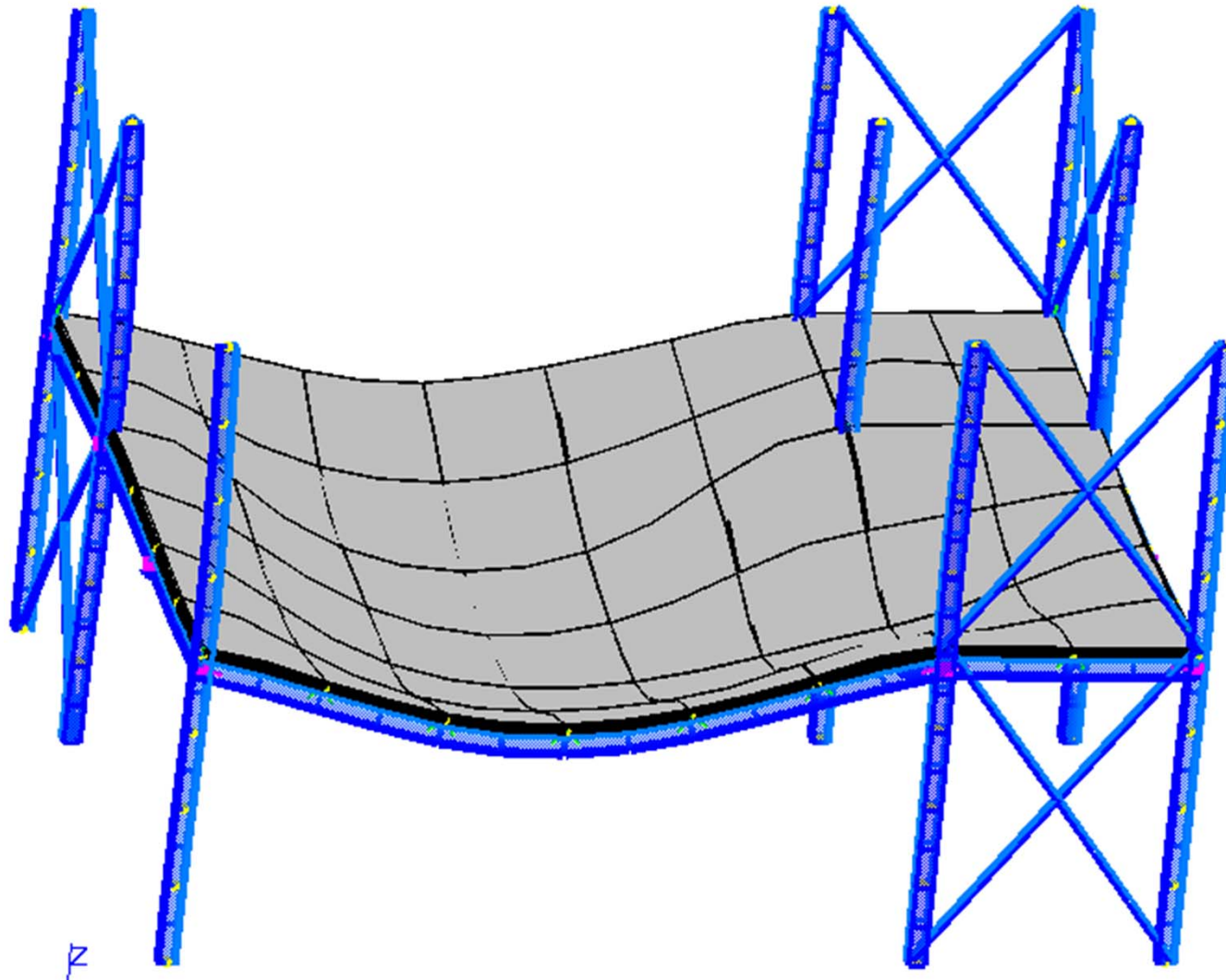
Gas Temperature (°C)





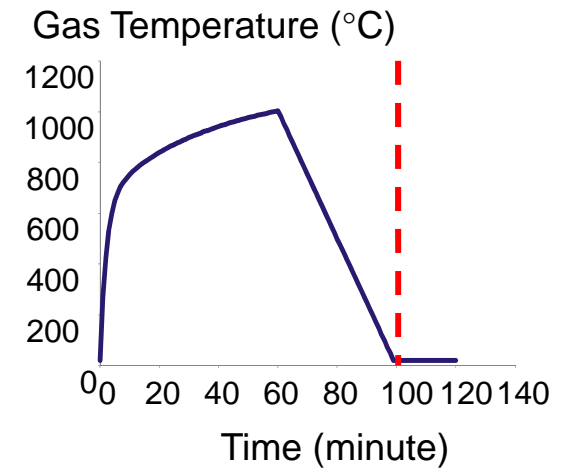
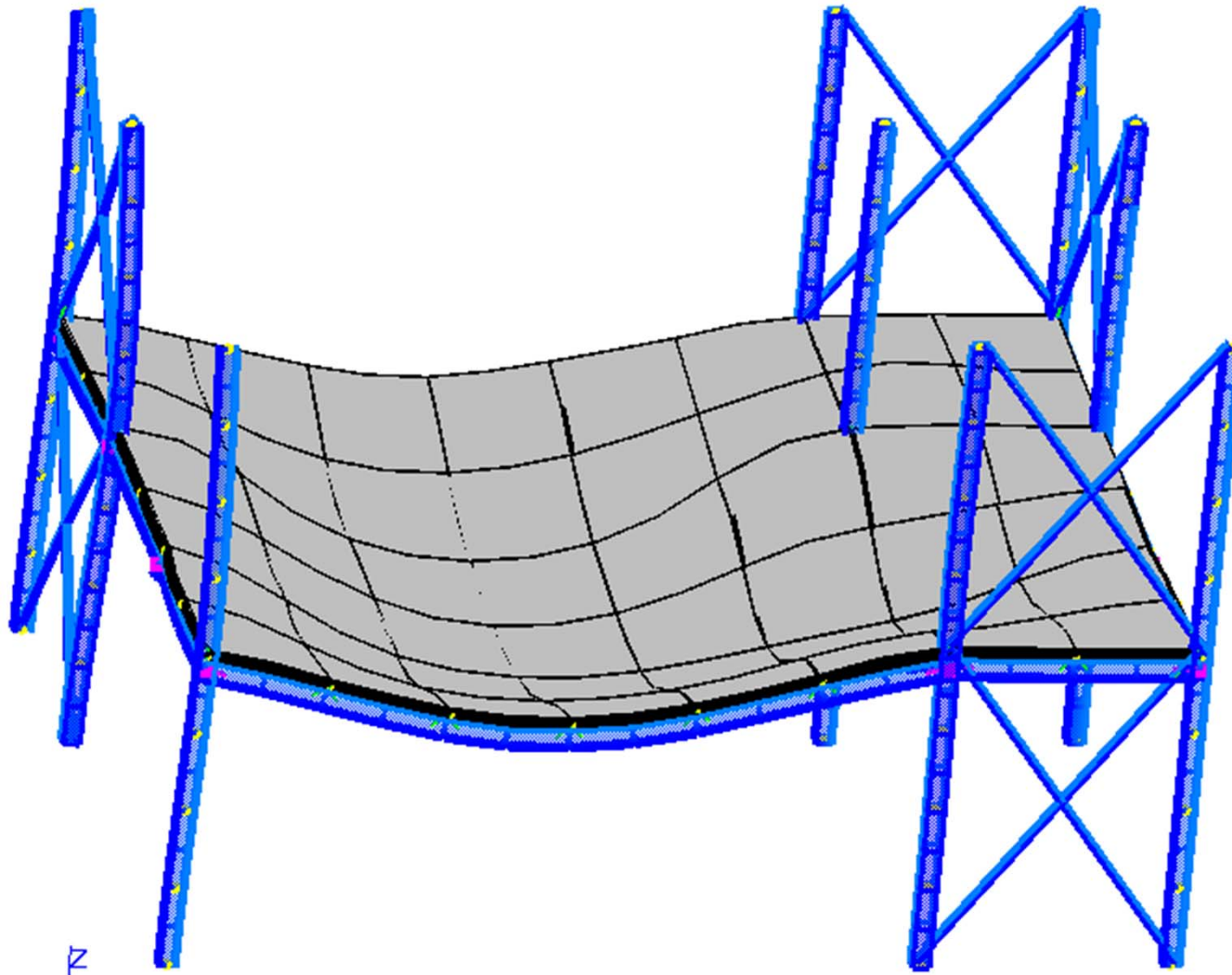
The University  
Of  
Sheffield.

# Deformation Shape



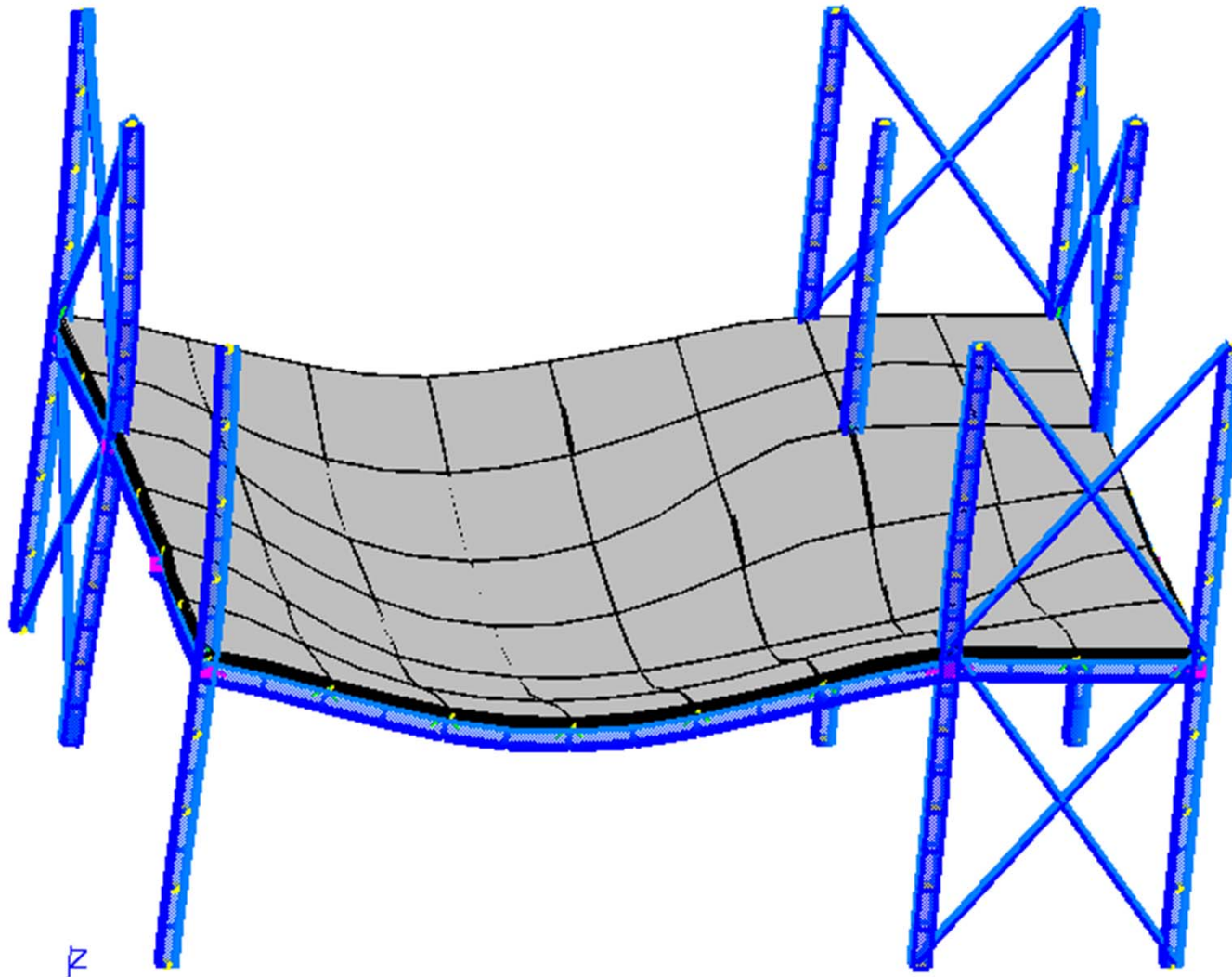


# Deformation Shape

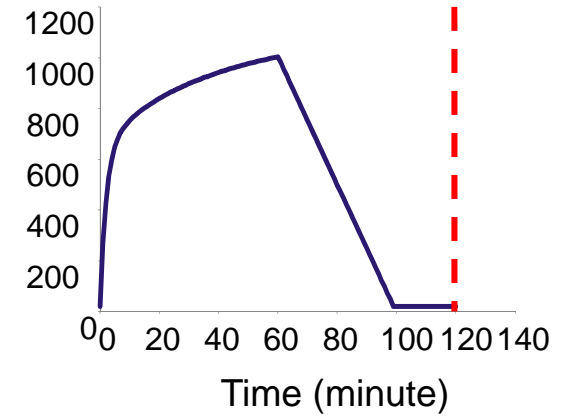




# Deformation Shape



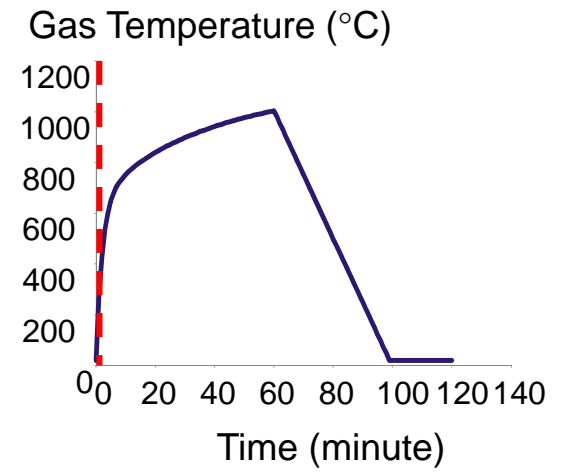
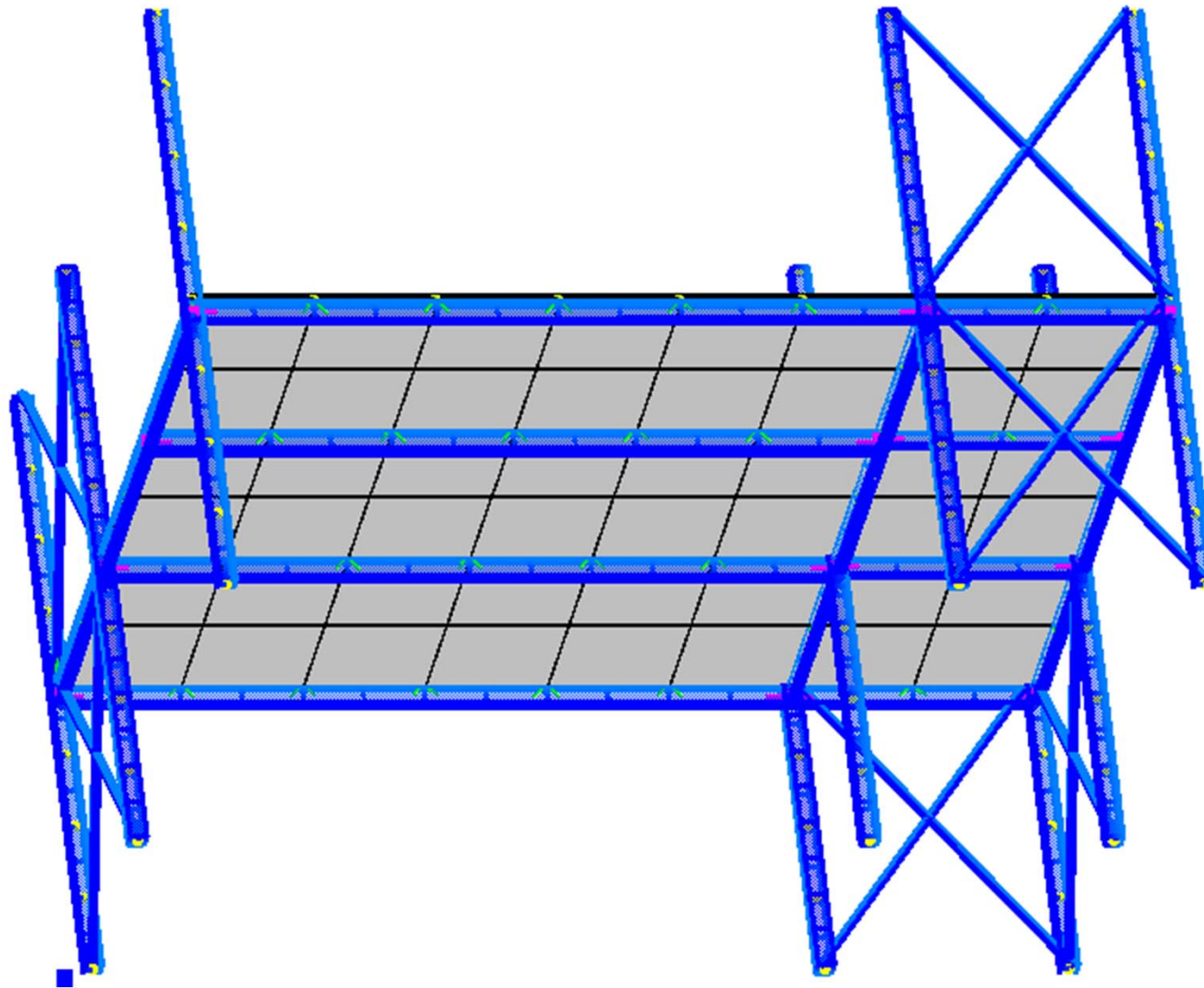
Gas Temperature (°C)





The University Of Sheffield.

# Deformation Shape

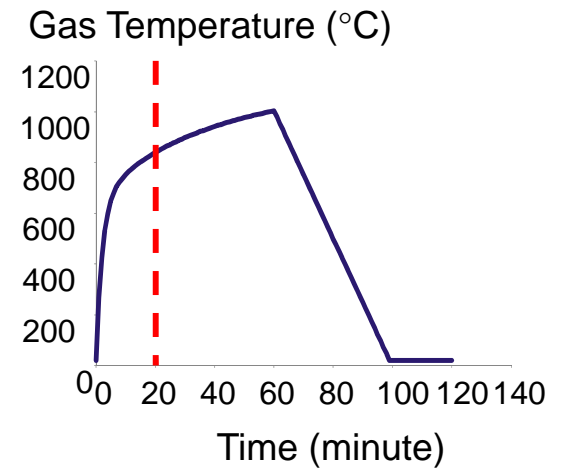
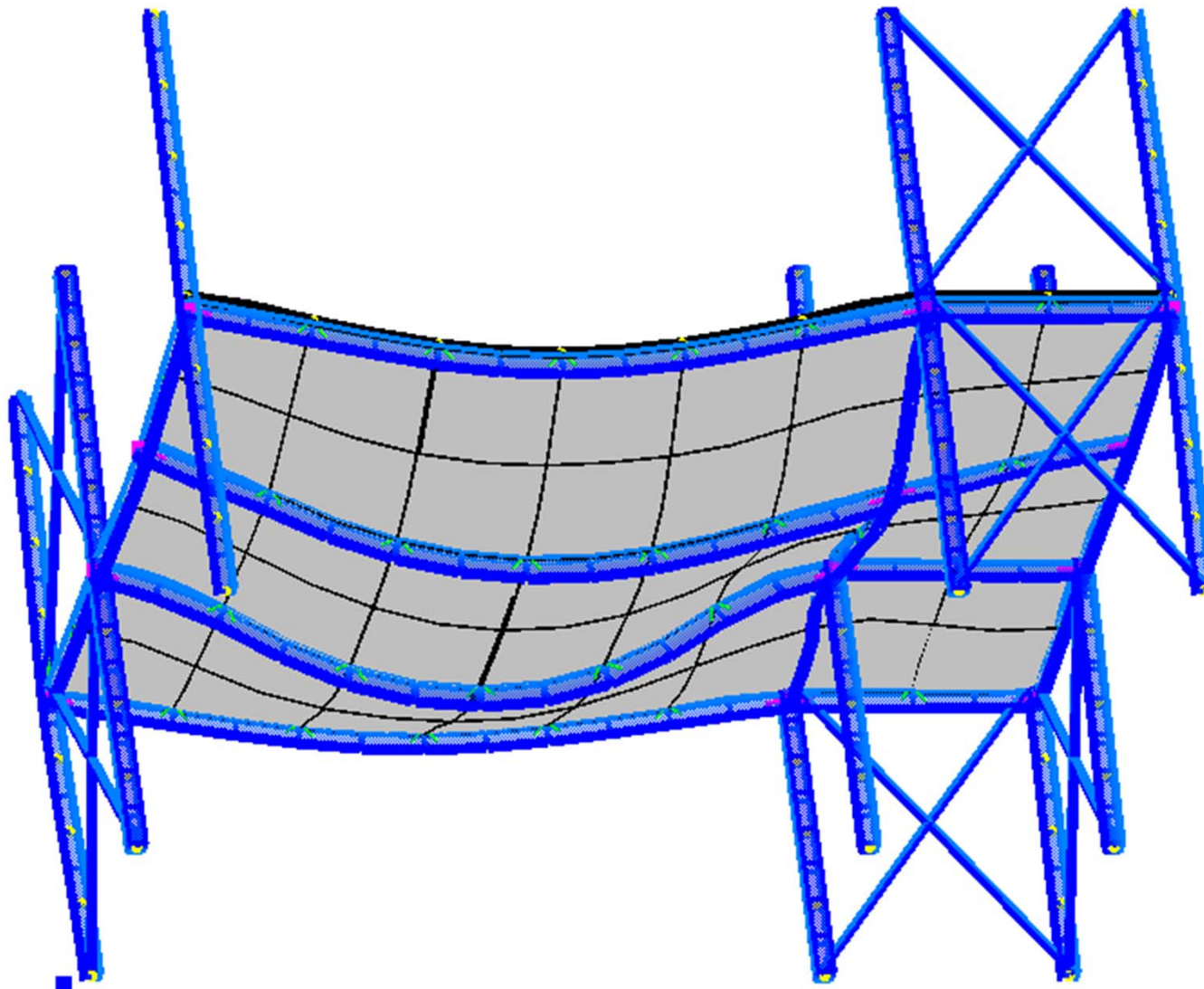






The University Of Sheffield.

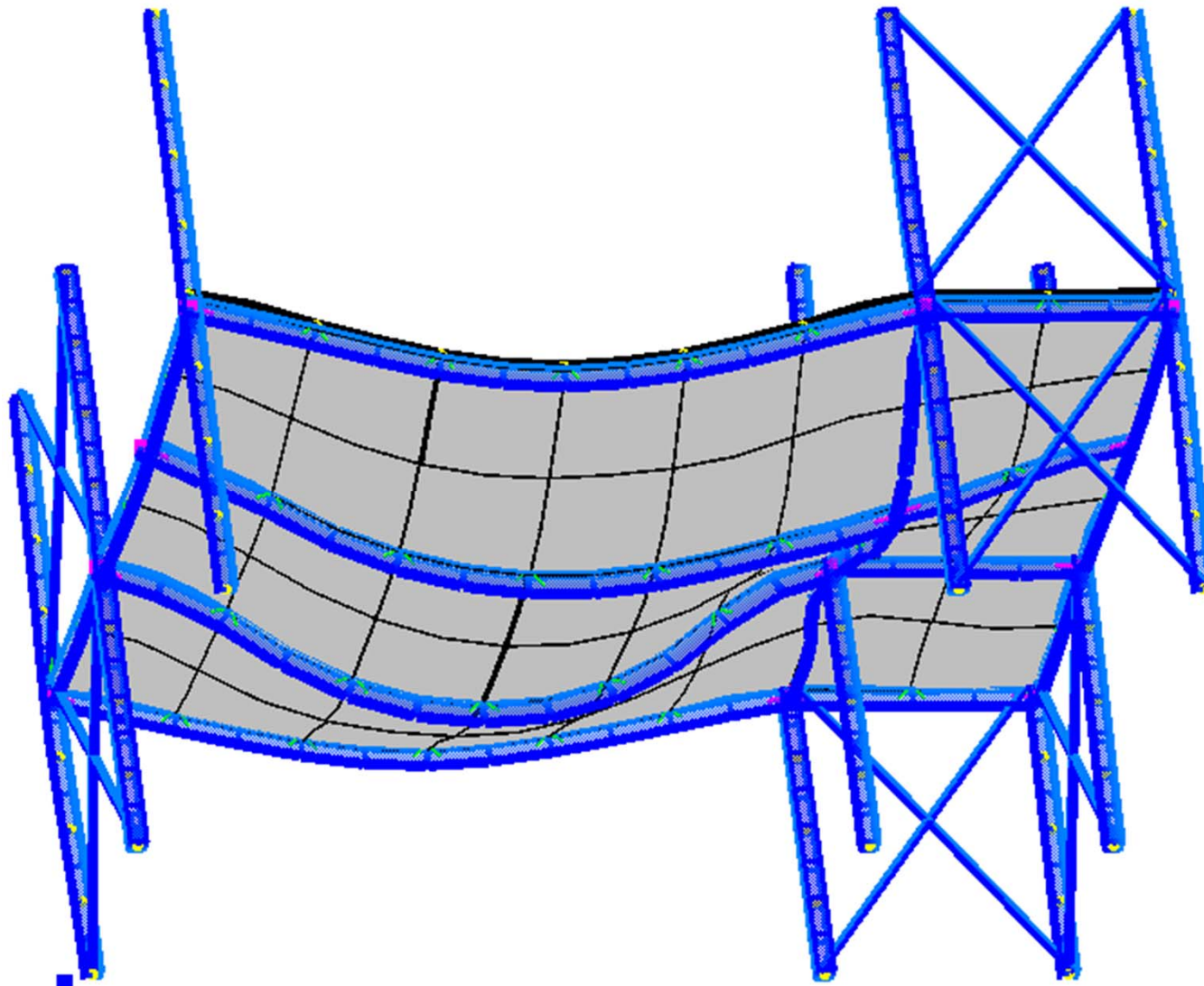
# Deformation Shape



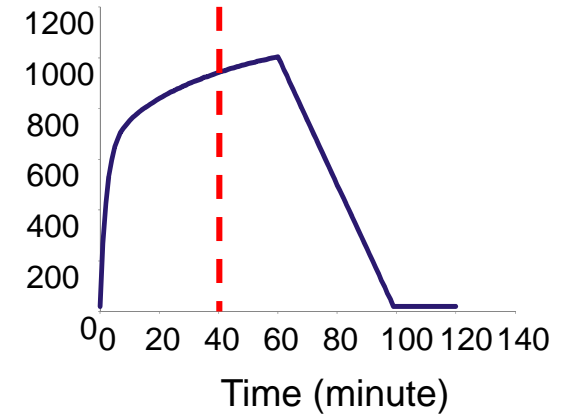


The University Of Sheffield.

# Deformation Shape



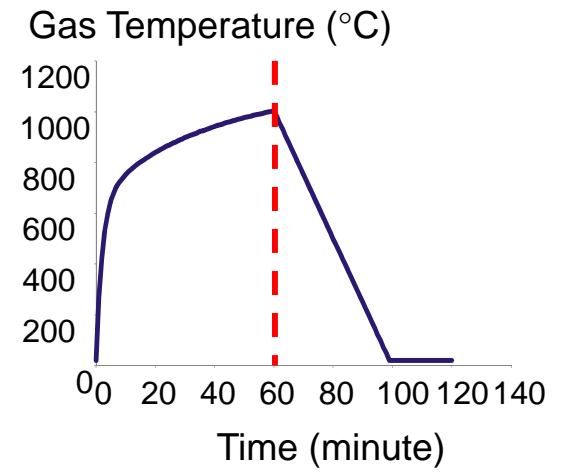
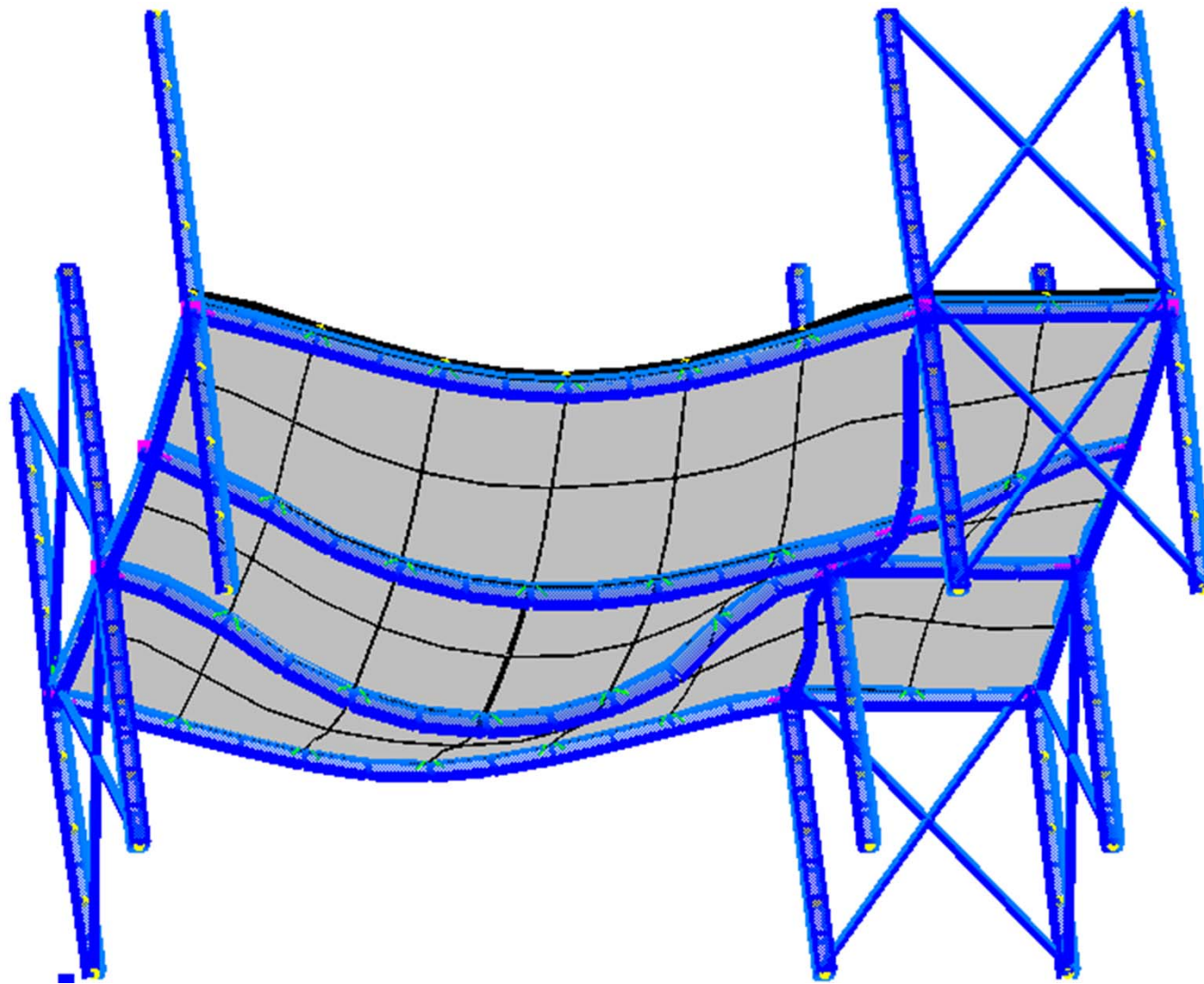
Gas Temperature (°C)





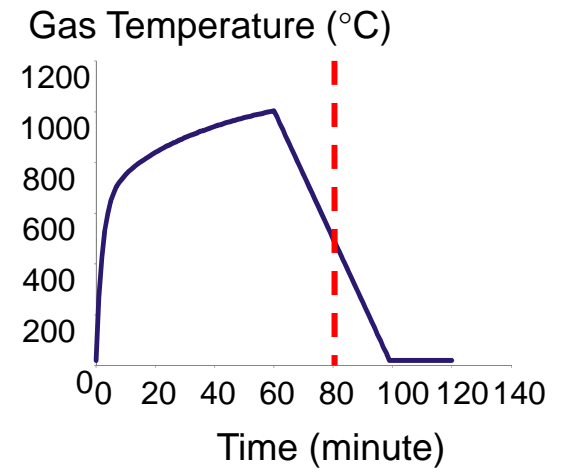
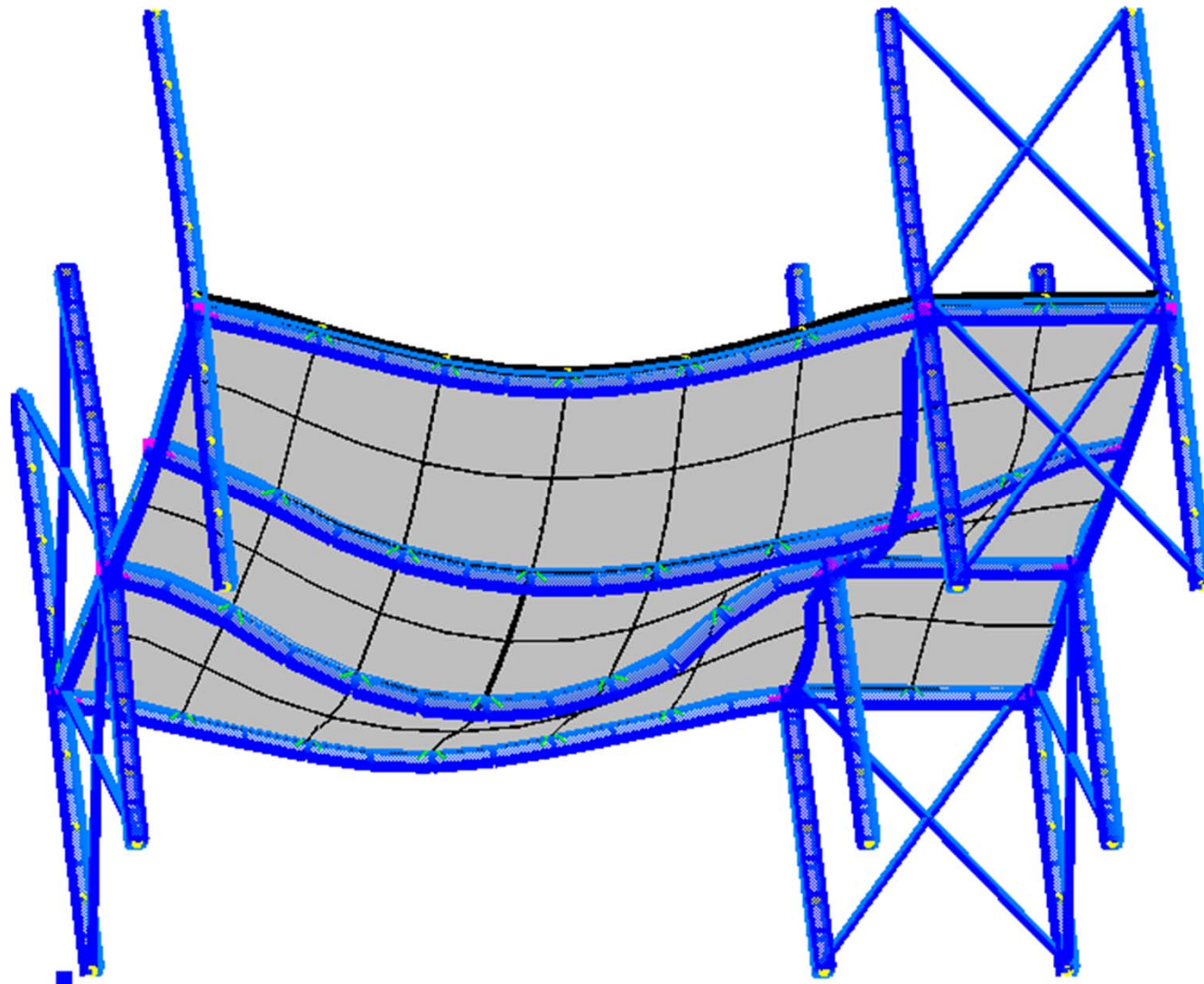
The University Of Sheffield.

# Deformation Shape





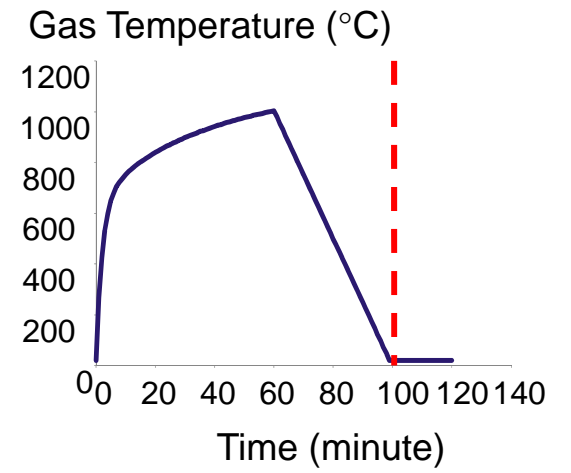
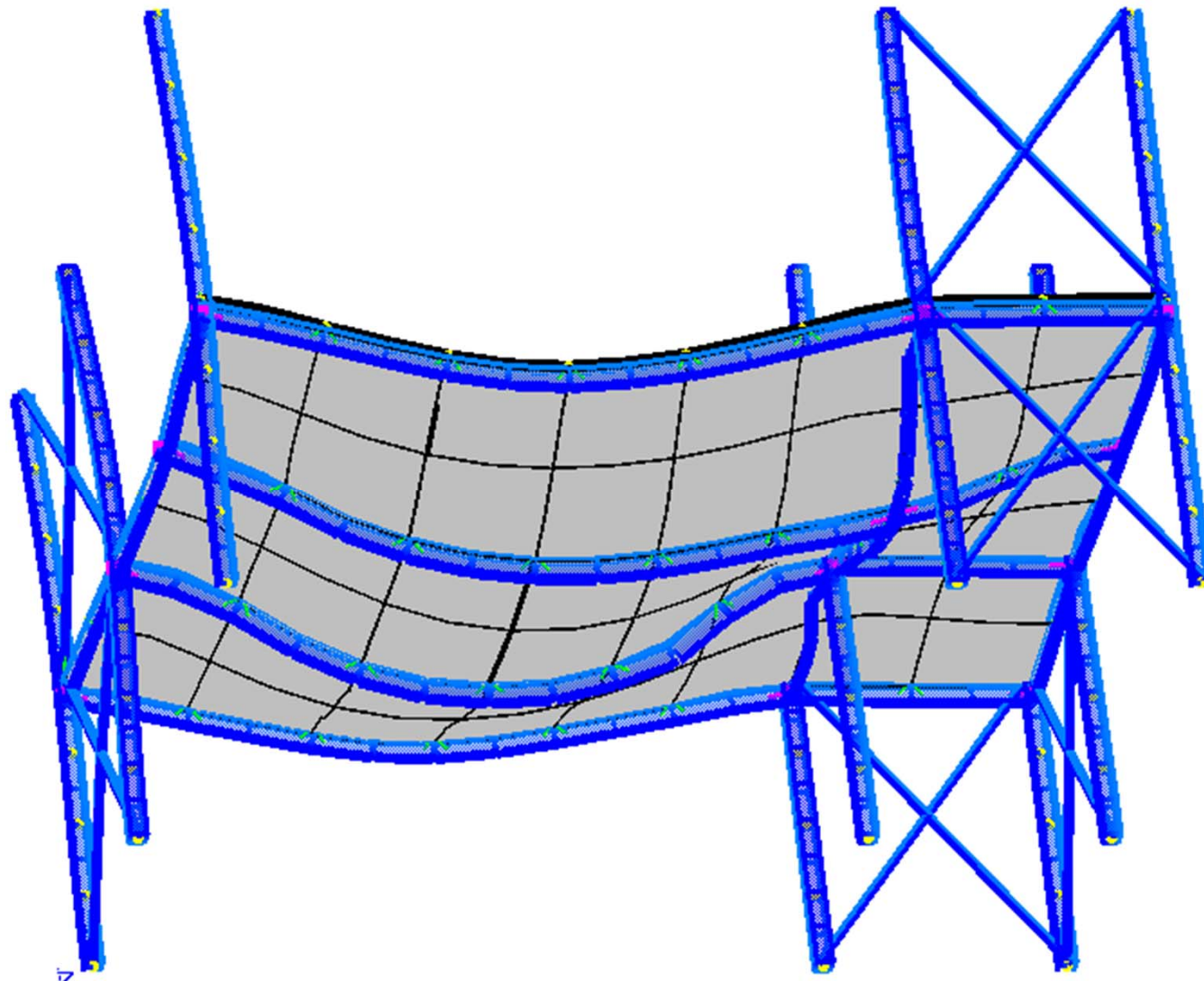
# Deformation Shape





The University Of Sheffield.

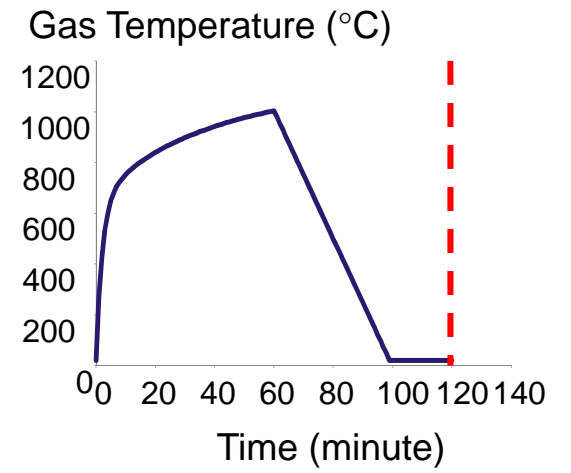
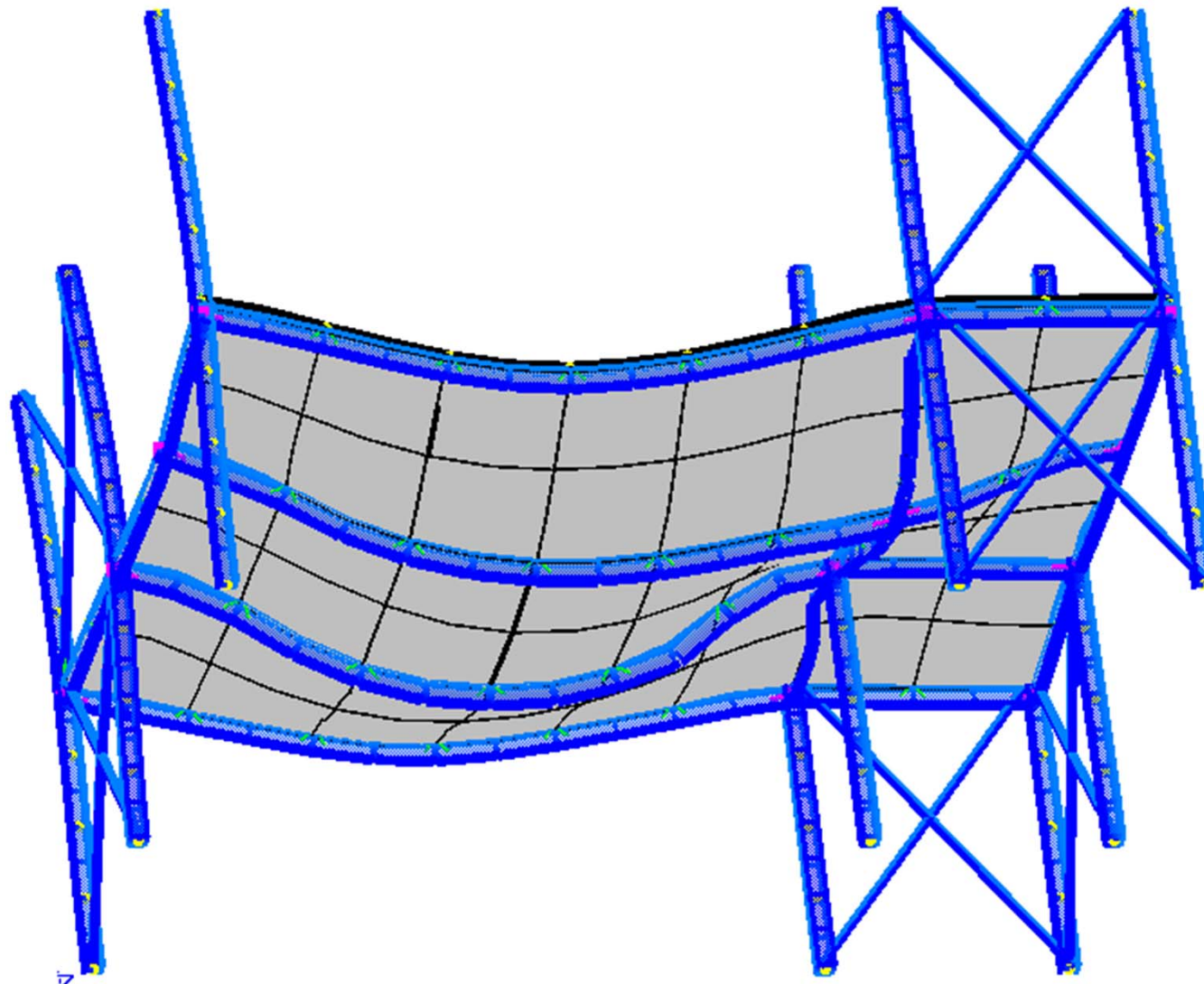
# Deformation Shape





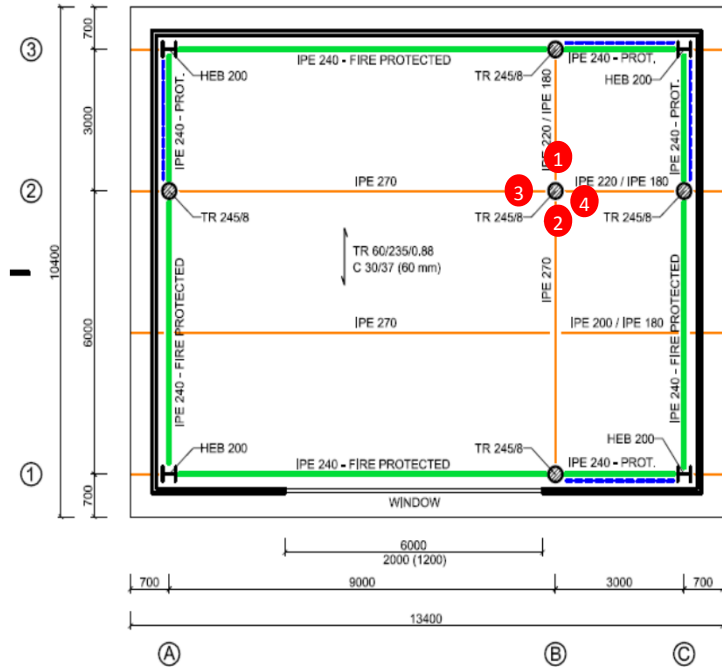
The University Of Sheffield.

# Deformation Shape

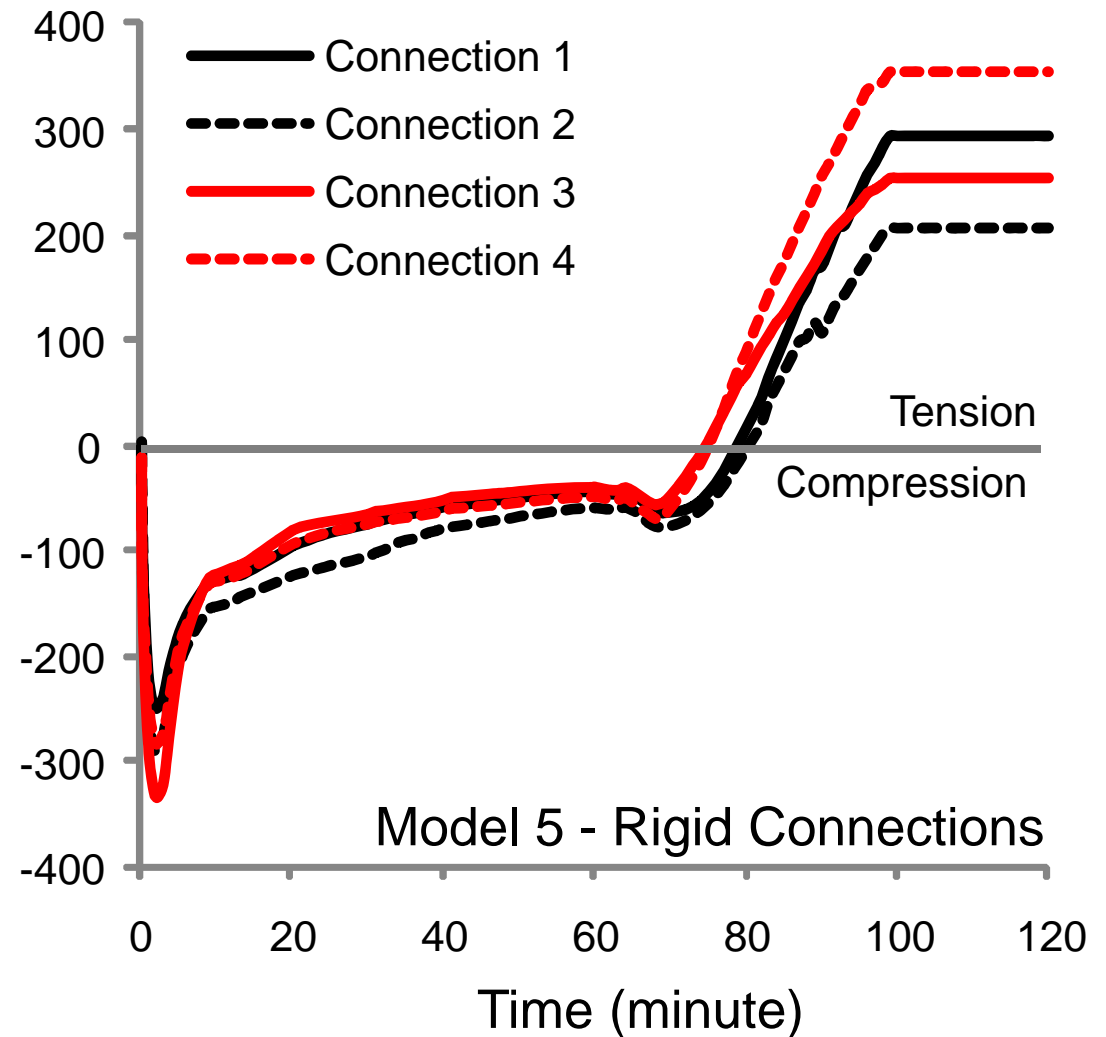




# Connection Forces



Connection force (kN)



Model 5 - Rigid Connections



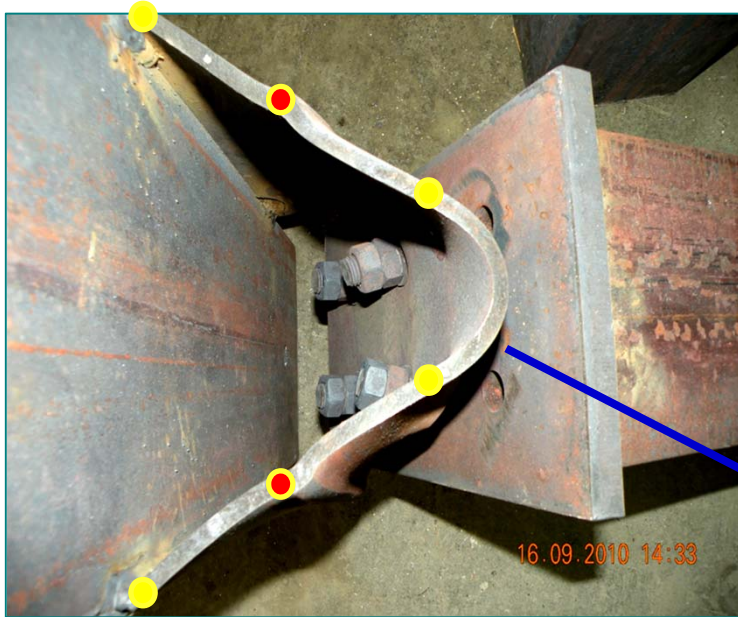
# Summary

- An initial prediction of the Veselí test, in which a composite structure will be tested under natural fire;
- Awaiting precise data, such as the temperature distributions, to be confirmed when the tests are performed;
- conservative assumptions have been made at this pre-test prediction stage;





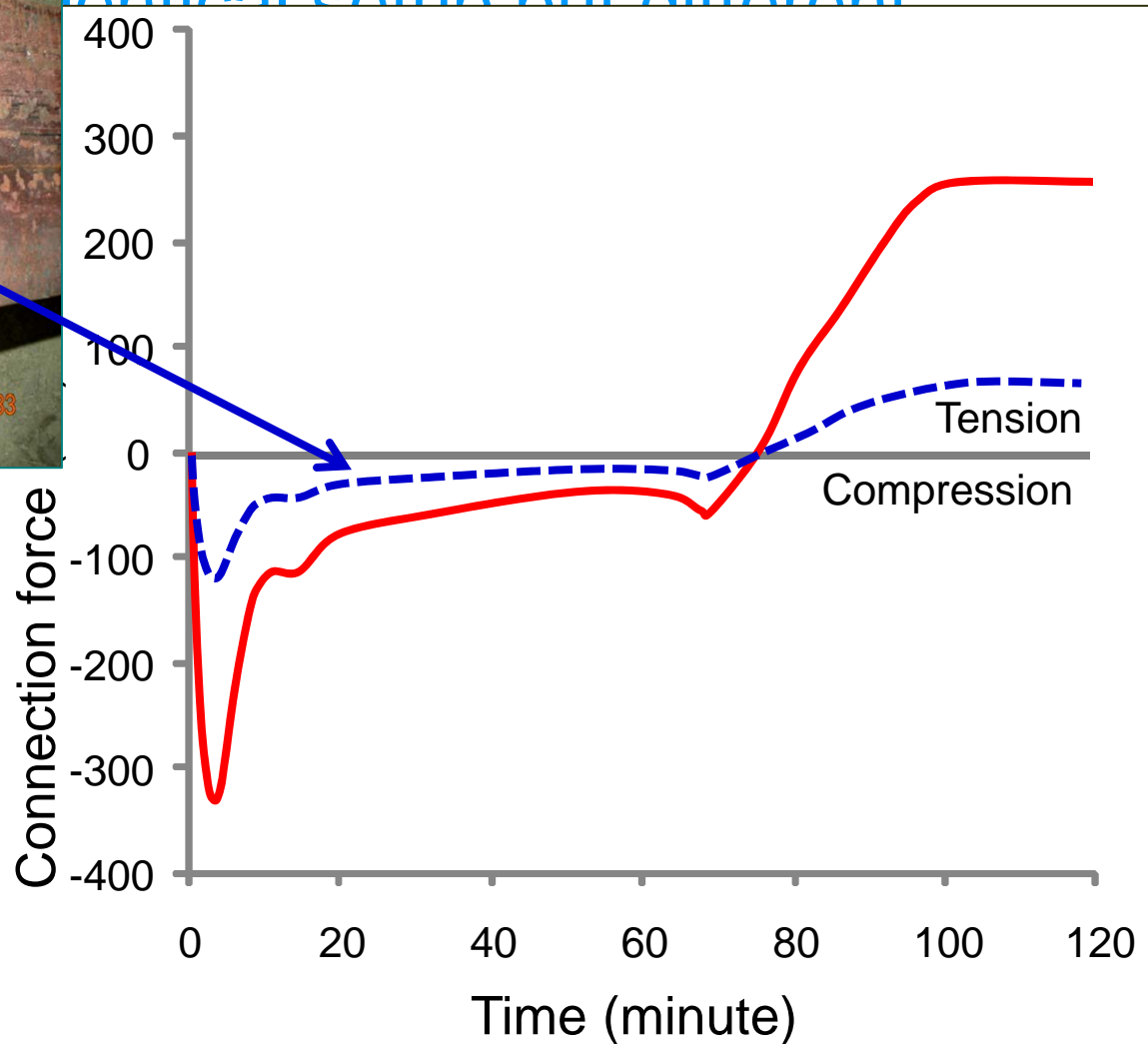
# Summary



Identical setup but different

resistance and  
considerable;

- The fire resistance  
by increasing the  
connections.





The  
University  
Of  
Sheffield.

# Thank you.

*Acknowledgment: The research leading to these results has received funding from the European Community's Research Fund for Coal and Steel (RFCS) under grant agreement n° RFSR-CT-2009-00021.*